

Choice Select[®]

SPECIFICATIONS



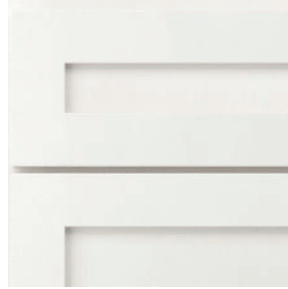
FREMONT



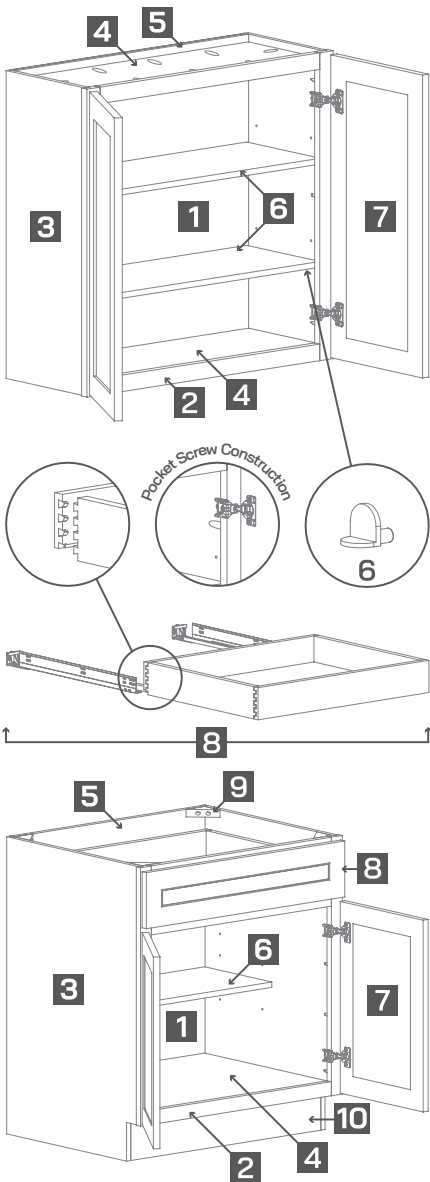
GRAPHITE



FROST



STERLING



Construction

- 1** Natural hardwood interior
- 2** 3/4" solid hardwood face frame
- 3** 1/2" veneered plywood end panels with matching exterior finish
- 4** 1/2" veneered plywood captured floor and ceiling panels with natural finish
- 5** 5/8" framed plywood back
- 6** 3/4" veneered plywood half depth, adjustable shelving with metal shelf clips
- 7** Full overlay solid hardwood stile and rail with veneered or painted MDF center panel and 6-way adjustable, concealed soft-close hinges
- 8** Full overlay 5-piece drawer front with 1/2" finger jointed hardwood dovetailed drawer box, 3/8" veneered plywood drawer bottom, and full extension undermount soft-close drawer glides
- 9** 3/4" solid wood corner braces
- 10** 4-1/2" high and 1/2" thick unfinished veneered plywood toe kick

LIFETIME LIMITED WARRANTY:



CERTIFICATIONS & COMPLIANCE:



Choice Essentials[®]

SPECIFICATIONS



SUMMIT



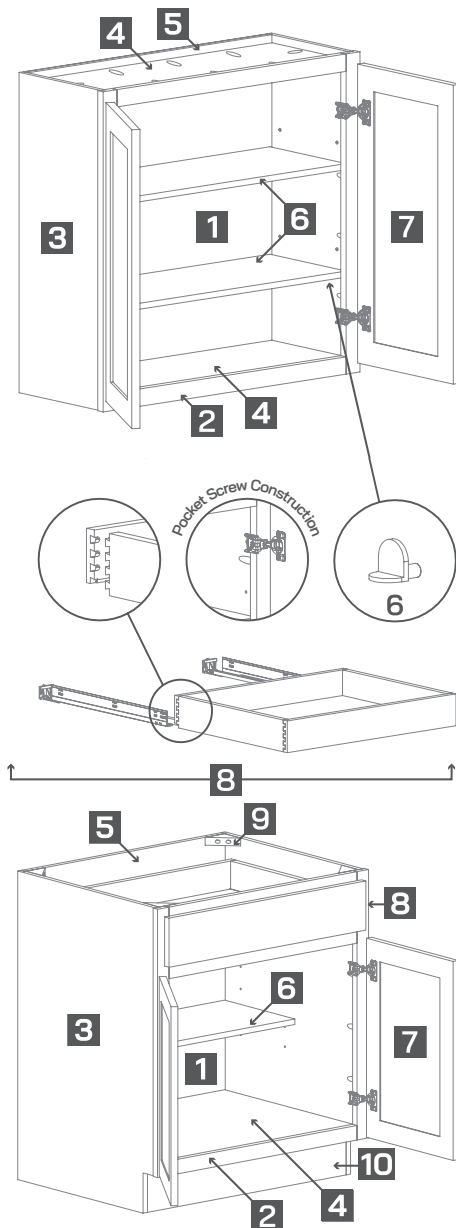
SLATE



LATTE



NEW! ASH



Construction

- 1** Natural hardwood interior
- 2** 3/4" solid hardwood face frame
- 3** 1/2" veneered plywood end panels with matching exterior finish
- 4** 1/2" veneered plywood captured floor and ceiling panels with natural finish
- 5** 5/8" framed plywood back
- 6** 3/4" veneered plywood half depth, adjustable shelving with metal shelf clips
- 7** Partial overlay stile and rail with veneered or painted MDF center panel and 6-way adjustable, concealed soft-close hinges
- 8** Partial overlay veneered or painted MDF slab drawer front with 3/8" veneered plywood drawer bottom, and 7/8 extension undermount soft-close drawer glides
- 9** 3/4" solid wood corner braces
- 10** 4-1/2" high and 1/2" thick unfinished veneered plywood toe kick

1-YEAR LIMITED WARRANTY:



CERTIFICATIONS & COMPLIANCE:

