

CABINETRY GUIDE

Choice Select® &
Choice Essentials®



Why choose Choice Cabinet?

OUR CABINETS

Our all wood cabinets are made of only the finest materials – no particleboard, glue, or staples, which is why we're considered an industry leader in the stock and ready-to-assemble cabinetry market. We offer more than 150 different sizes and carry over 50,000 cabinets on hand in our warehouse at any given time, so our high quality cabinets are immediately available to meet even the shortest of lead times.

Quality cabinets should be judged by two distinct characteristics – beauty and strength. Choice Cabinet has strategically identified and offers the most popular door styles and finishes. We stock traditional and contemporary styles in an ample variety of finishes and colors. While an elegantly designed and attractive door style is nice, you can't judge a cabinet only by its appearance. What's behind the door is even more important.

All of our cabinetry is certified by the Kitchen Cabinet Manufacturers Association (KCMA) and complies with the requirements of NSI/KCMA A161.1. We're also proud to be a TSCA Title VI and CARB2 Compliant cabinet manufacturer.

OUR VALUE & SERVICE

We offer affordable kitchen cabinets. When you buy from Choice Cabinet, you're getting attractive, quality made cabinets at substantial savings – direct from the manufacturer. You might assume that the level of quality you find in our cabinets is beyond your budget, but because there is no middleman, we can offer a best price guarantee. If you shop us against other cabinet manufacturers you'll find at the big box store, the sort of value and quality we provide can't be matched at our price point.

Because of our company's years of experience in the cabinet and kitchen design industry, we know what it takes to build an attractive and quality cabinet for every room of your home. Most other major manufacturers are selling particle-board cabinets, but will offer an upgrade to wood at an additional charge of up to 20 percent. Our cabinets are made from the thickest wood in the industry yet are still affordably priced. They have every feature you would expect from a premier line of cabinets. And we continue to emphasize that the design and layout of the kitchen are just as important as the quality cabinets themselves.

OUR MISSION & CULTURE

The Choice Cabinet company brings stewardship and ministry to the forefront of our core values and culture. We encourage all employees to be involved in their communities as part of their life style. It is our goal to promote servant hearts by supporting both local and national non-profit ministries. As our employees commit to helping others, the Choice Cabinet company makes every effort to provide the time and resources required to service those in need.

Choice Select[®]

Our Choice Select[®] line features both transitional Shaker-style doors and contemporary Shaker-style doors. These cabinets are stylish, yet functional and are built to last. They also come standard with soft close glides and hinges. The Choice Select[®] line is constructed to stand up to any lifestyle.

FREMONT
PAGES 6-7



FROST
PAGES 10-11



GRAPHITE
PAGES 8-9



STERLING
PAGES 12-13

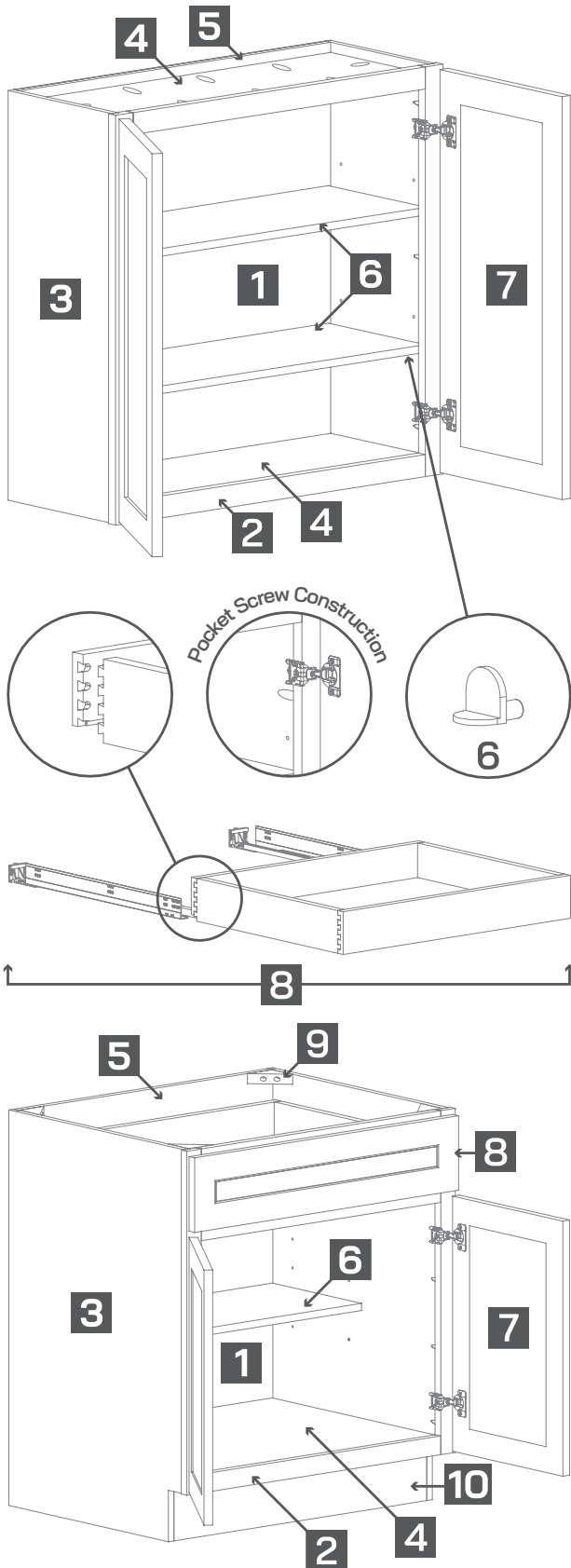
LIFETIME LIMITED
WARRANTY:



EPA
COMPLIANCE:



Construction



- 1** Natural hardwood interior
- 2** 3/4" solid hardwood face frame
- 3** 1/2" veneered plywood end panels with matching exterior finish
- 4** 1/2" veneered plywood captured floor and ceiling panels with natural finish
- 5** 5/8" framed plywood back*
- 6** 3/4" veneered plywood half depth, adjustable shelving with metal shelf clips
- 7** Full overlay solid hardwood stile and rail with veneered or painted MDF center panel and 6-way adjustable, concealed soft-close hinges
- 8** Full overlay 5-piece drawer front with 1/2" finger jointed hardwood dovetailed drawer box, 3/8" veneered plywood drawer bottom, and full extension undermount soft-close drawer glides
- 9** 3/4" solid wood corner braces
- 10** 4-1/2" high and 1/2" thick unfinished veneered plywood toe kick

(*) Temporary variance may occur in back panel construction.
 (**) Temporary variance may occur in shelf thickness.





With a white blank canvas, Fremont is the perfect balance of traditional and contemporary. The bright white finish works with any color palette, from neutral to bold. This transitional Shaker-style door touches the past while looking forward to the future.

DOOR STYLE FEATURES

- Full overlay door style
- Solid wood mortis tenon stile and rail
- 5-piece drawer front
- Painted MDF center panel
- Painted white finish
- Soft-close glides and hinges





Designed for the bold and creative, Graphite stands out in any space. The gray stain blends perfectly with neutral and muted colors. Create a dynamic yet inviting space with this stunning transitional Shaker-style door.



DOOR STYLE FEATURES

- Full overlay door style
- Solid wood mortis tenon stile and rail
- 5-piece drawer front
- Painted MDF center panel
- Stained gray finish
- Soft-close glides and hinges





FROST

Create a bright and classic space with Frost. The simple profile gives you the freedom to truly express your personality and style. Stay with the minimalistic look or push the boundaries with this Shaker-style door.



DOOR STYLE FEATURES

- Full overlay door style
- Solid wood mortis tenon stile and rail
- 5-piece drawer front
- Painted MDF center panel
- Painted white finish
- Soft-close glides and hinges





Find the ideal blend of warmth and cool when you use Sterling. The classic styling allows you to create a space that's inviting and cozy. This Shaker-style door combines contemporary taste with modern color.



DOOR STYLE FEATURES

- Full overlay door style
- Solid wood mortis tenon stile and rail
- 5-piece drawer front
- Painted MDF center panel
- Painted gray finish
- Soft-close glides and hinges

Choice Essentials®

We understand that kitchen and bath projects can get expensive, so we created the Choice Essentials® line. You can still expect the same all wood quality construction in this budget-friendly offering. The Choice Essentials® line is perfect for builders, contractors, and rental properties.

SUMMIT

PAGES 16-17

LATTE

PAGES 20-21

BRENTWOOD

PAGES 24-25



SLATE

PAGES 18-19

LEXINGTON

PAGES 22-23

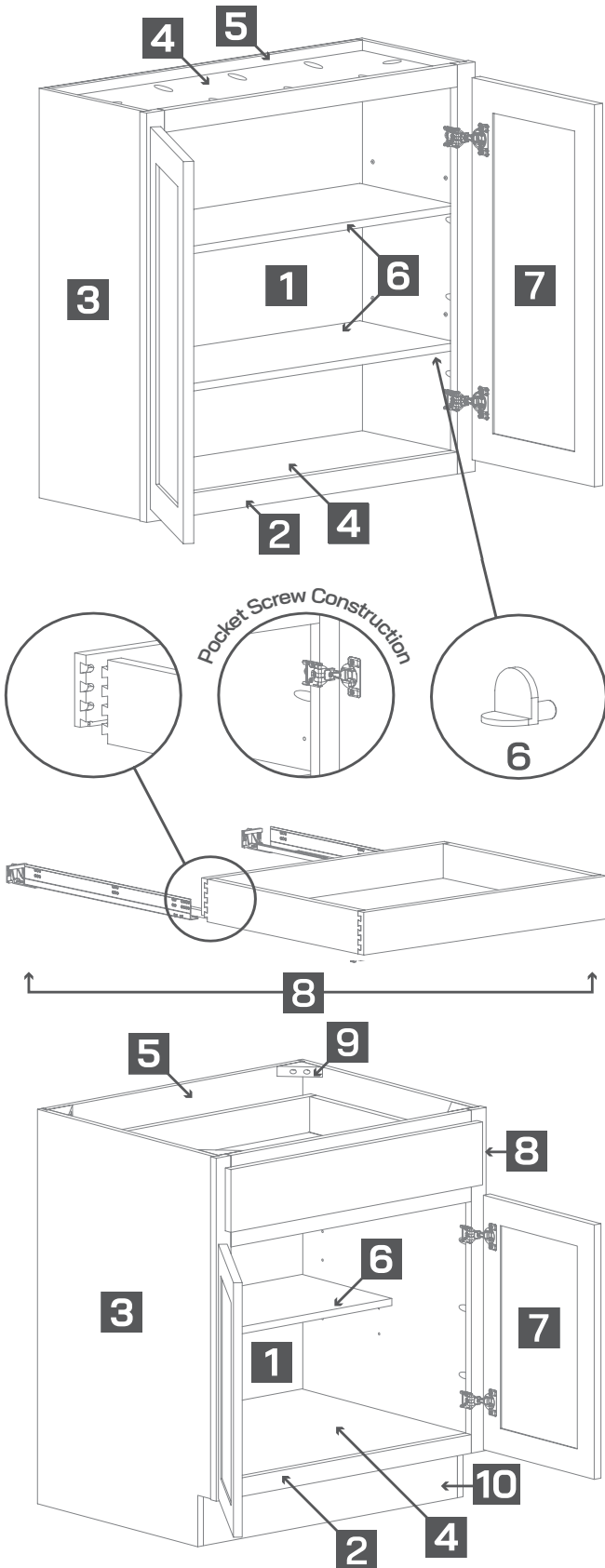
1-YEAR LIMITED WARRANTY:



EPA COMPLIANCE:



Construction



- 1** Natural hardwood interior
- 2** 3/4" solid hardwood face frame
- 3** 1/2" veneered plywood end panels with matching exterior finish
- 4** 1/2" veneered plywood captured floor and ceiling panels with natural finish
- 5** 5/8" framed plywood back
- 6** 3/4" veneered plywood half depth, adjustable shelving with metal shelf clips
- 7** Partial overlay stile and rail with veneered or painted MDF center panel and 6-way adjustable, concealed soft-close hinges *
- 8** Partial overlay veneered or painted MDF slab drawer front with 3/8" veneered plywood drawer bottom, and 7/8 extension undermount soft-close drawer glides *
- 9** 3/4" solid wood corner braces
- 10** 4-1/2" high and 1/2" thick unfinished veneered plywood toe kick

(*) Lexington and Brentwood offered with plywood dovetail drawer boxes and standard close glides and hinges





Refresh and energize your space with Summit. This bright white cabinet is perfect for both the farmhouse or and modern look. The Shaker-style door suites a variety of tastes.



DOOR STYLE FEATURES

- Partial overlay door style
- Solid wood mortis and tenon stile and rail
- Slab drawer front
- Painted MDF center panel
- Painted white finish
- Soft-close glides and hinges





Add depth and dimension to your cabinets with Slate. This gray stained cabinet can provide a contemporary sleek look, perfect for modern designs. It can complement both warm and cool tones, making it easy to integrate into different design schemes.

DOOR STYLE FEATURES

- Partial overlay door style
- Solid wood mortis and tenon stile and rail
- Slab drawer front
- Painted MDF center panel
- Stained gray finish
- Soft-close glides and hinges



VAN GOGH
AND THE
OLIVE GROVES
11.03.2022 - 12.06.2022
Van Gogh
Museum



Add a touch of natural elegance to your space with Latte. The classic appeal of natural wood never goes out of style, ensuring that these natural stained cabinets will remain attractive for years to come. This warm tone can make your space feel welcoming and comfortable.



DOOR STYLE FEATURES

- Partial overlay door style
- Solid wood mortis and tenon stile and rail
- Slab drawer front
- Painted MDF center panel
- Stained natural finish
- Soft-close glides and hinges





LEXINGTON

Create a beautiful and lavish space with Lexington. The warm brown tones are charming yet modern. Lexington is an excellent balance of sophistication and style.



DOOR STYLE FEATURES

- Partial overlay door style
- Solid wood mortis and tenon stile and rail
- Slab drawer front
- Painted MDF center panel
- Stained brown finish
- Standard glides and hinges





BRENTWOOD

The superb mix of dynamic and dark, Brentwood sets the mood and atmosphere of any space. The simple slab drawer front incorporates clean and sleek lines. Take any space and make it cozy and comfortable with Brentwood.



DOOR STYLE FEATURES

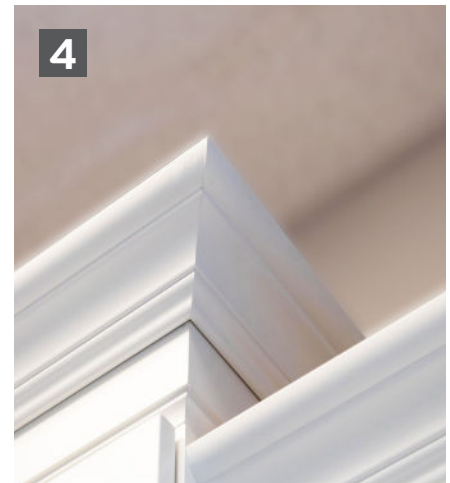
- Partial overlay door style
- Solid wood mortis and tenon stile and rail
- Slab drawer front
- Painted MDF center panel
- Stained espresso finish
- Standard glides and hinges

Storage & Accessories

We know there's no better feeling than easily finding what you're looking for. That's why our line of storage and accessories was built to keep your kitchen (or any other room) neatly organized and easy for you to customize your cabinets as well.

SPACE SAVERS

Storage and organization are vital for any well functioning kitchen or bathroom. We have the solutions that you're looking for to hide the clutter and get organized.



FINISHING TOUCHES

Your project isn't done until you've added the finishing touches. Turn any kitchen or bathroom into the luxurious space that you've been dreaming about.

Accessories



1

Make hard-to-reach items easier to find with our roll-out trays. These are perfect for tall pantries for canned goods or lower cabinets for pots and pans.

2

Add another level of elegance with mullion doors. Choose either our modern or traditional mullion to suit your style.

3

Finish off the look of your kitchen island with decorative doors. Take a modern or contemporary island and turn it into one with a farmhouse touch.

4

With so many options to choose from, you'll be able to find the molding that fits your personality. For the traditionalist, choose an elegant molding. For a modern look, choose a simplistic molding.

5

Whether you choose a single or double bin, our trash pull-outs are designed with your family in mind. Save some space by hiding your trash and recyclables from guests.

6

No matter which Lazy Susan model you pick, you'll be able to find those hard-to-reach items with ease. Choose between full and pie-cut trays.

7

You can also have your cabinet doors cut for glass. Choosing the right style of glass can set the mood for any space.

8

Our wooden cutlery divider is perfect for organizing a messy drawer. This divider isn't just for silverware. Use it to organize your "junk" drawer as well.

9

Set your kitchen apart from the rest. Use decorative legs to highlight your stunning range or to accent your kitchen island.

10

Whether you use it to store your spices or food items, our base pantry pull-out is the space saver you've been needing.

Decorative Hardware

We believe that a cabinet should be an elegant addition to your home's aesthetic. That's why we offer a wide variety of knobs, pulls and handles. Each one is made with precision, attention to detail, and is designed to fit everything from the smallest drawer to the largest cabinet.

AVAILABLE FINISHES

 Satin Nickel

 Rose Gold

 Matte Black

DIECAST KNOB (1-1/4" Diameter)



SQUARE KNOB (1-1/4" Width)



SPHERICAL KNOB (1-1/4" Diameter)



ROUND FLAT TOP KNOB (1-1/4" Diameter)



4" DECO PULL (4-1/4" Overall Length / 3-3/4" Center to Center)



6" DECO PULL (5-1/2" Overall Length / 5" Center to Center)



CUP PULL (3-3/4" Overall Length / 3" Center to Center)



4" HIGHLAND PULL (5-1/2" Overall Length / 3-3/4" Center to Center)



6" HIGHLAND PULL (7" Overall Length / 6-1/4" Center to Center)



4" SQUARE EDGE PULL (4-3/4" Overall Length / 3-3/4" Center to Center)



6" SQUARE EDGE PULL (7-1/2" Overall Length / 6-1/4" Center to Center)



2" BAR PULL KNOB (2" Length)



6" BAR PULL (6" Overall Length / 3-3/4" Center to Center)



10" BAR PULL (10" Overall Length / 7" Center to Center)



Visit Us Online

Our all new website contains a wealth of information. Educate yourself on our complete product lines. Download our free eBooks to help with your projects or learn how to best protect and clean your cabinetry. Stay up to date on today's trends and helpful tips and tricks in our informative blog.



- Learn about Our Products
- View Real Life Testimonials
- Browse the Inspiration Gallery
- Subscribe to Our Blog
- Frequently Asked Questions
- Resources & Warranties
- How to Become a Dealer
- Access to SuiteCommerce

VISIT OUR WEBSITE TO SEE EVERYTHING THAT WE HAVE TO OFFER



HEADQUARTERS & WAREHOUSE

26401 Fargo Avenue
Bedford Heights, OH 44146



CAREERS AT CHOICE CABINET

Founded in 2006, Choice Cabinet has since grown into one of the nation's fastest growing and industry leading ready-to-assemble cabinet manufacturers. Because of our commitment to excellence and resulting exponential growth, we're always looking to add team players who come with a great work ethic and enjoy long-term customer relationships.

Every employee that joins our company has the opportunity to create a long and successful career at Choice Cabinet. With ever-expanding operations and hundreds of national accounts, growth opportunities are always available.

HEADQUARTERS & WAREHOUSE

26401 Fargo Avenue
Bedford Heights, OH 44146

T: 216.378.2828

F: 216.378.2844



Choice Select[®]

Our Choice Select[®] line features both transitional Shaker-style doors and contemporary Shaker-style doors. These cabinets are stylish, yet functional and are built to last. They also come standard with soft close glides and hinges. The Choice Select[®] line is constructed to stand up to any lifestyle.

Choice Essentials[®]

We understand that kitchen and bath projects can get expensive, so we created the Choice Essentials[®] line. You can still expect the same all wood quality construction in this budget-friendly offering. The Choice Essentials[®] line is perfect for builders, contractors, and rental properties.



Photography and color samples shown have been reproduced as accurately as printing technologies permit. To ensure your highest satisfaction, please view actual product samples prior to ordering cabinetry.

In maintaining our policy of continuous product improvement, Choice Cabinet reserves the right to change design and material specifications as required and without notice.

MKT CABINETRY GUIDE
© 2024 Choice Cabinet
All rights reserved.