



SPECIFICATION GUIDE 2024

Choice Select® &
Choice Essentials®

Cover Photo Credit: Vista Finishing (www.vistafinishing.com)

Looking for help? We're here for you.

CHOICECABINET.COM

Our customer-friendly website is available for use by our retail customers as well as our Choice Cabinet dealers. It contains a wealth of information about our complete line of products for purchase and our complete line of dealer sales support services. Features of our website include:

- Designs and photos demonstrating the multiple ways Choice Cabinet products can be used throughout the home
- Consumer information about the uniqueness of our cabinets, the characteristics of wood, frequently asked questions, and the proper maintenance of caring for your cabinets
- Photos and sketches of our door styles by profile and finish
- Accessory options, such as decorative hardware, trash pull outs, and roll out shelving

24 HOURS A DAY

As a dealer of Choice Cabinet, you are provided 24-hour access to our webstore, our cloud-based ordering system which helps you maximize your sales efforts by keeping you up to date with the latest Choice Cabinet products and brand information. It is quick, easy-to-use, and enables you to:

- Enter new orders and track and manage current orders
- Access to product literature, design catalogs, and sales tools
- Download marketing content like images, logos, videos, and much more
- Order samples and displays to showcase Choice products in your design center

LIVE CUSTOMER SUPPORT

While websites are convenient, sometimes you just need to talk to a person. Choice Cabinet Customer Support is here to help. Your consultant can help with:

- Placing an order or answering product questions
- Following up on orders or tracking a delivery
- Addressing billing and invoice questions

Feel free to contact Choice Cabinet Customer Support whenever you have a question or concern.

855.378.2828 | info@choicecabinet.com

Table of Contents

Choice Select

DOOR STYLES	6
CONSTRUCTION	7
WALL CABINETS	8
BASE CABINETS	26
TALL CABINETS	38
BATHROOM VANITY CABINETS	44
PANELS & SKINS	50
MOLDING & TRIM	58
TOUCH-UP	76

Choice Essentials

DOOR STYLES	80
CONSTRUCTION	81
WALL CABINETS	82
BASE CABINETS	93
TALL CABINETS	103
BATHROOM VANITY CABINETS	109
PANELS & SKINS	113
MOLDING & TRIM	119
TOUCH-UP	129

Accessories

STORAGE & ACCESSORIES	133
GLIDES & HINGES	137
DECORATIVE HARDWARE	141
SAMPLES & REPLACEMENT PARTS	147

Assembly Ordering	153
--------------------------------	-----

Modification Ordering	154
------------------------------------	-----

Marketing	155
------------------------	-----



Cleaning, Care & Maintenance	159
---	-----

Warranty Information	161
-----------------------------------	-----

Choice Select®

DOOR STYLES

DOOR CONSTRUCTION KEY

-  Indicates Solid Wood
-  Indicates Veneered MDF



FREMONT

- Order code: FMT
- Full overlay
- White painted finish
- 5-piece drawer front
- Mortis and tenon
- Solid wood stile and rail
- MDF center panel



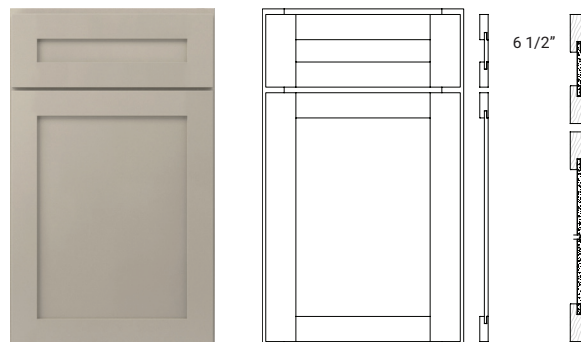
GRAPHITE

- Order code: GRA
- Full overlay
- Gray stained finish
- 5-piece drawer front
- Mortis and tenon
- Solid wood stile and rail
- Veneered MDF center panel



FROST

- Order code: FRO
- Full overlay
- White painted finish
- 5-piece drawer front
- Mortis and tenon
- Solid wood stile and rail
- MDF center panel



STERLING

- Order code: STE
- Full overlay
- Gray painted finish
- 5-piece drawer front
- Mortis and tenon
- Solid wood stile and rail
- MDF center panel

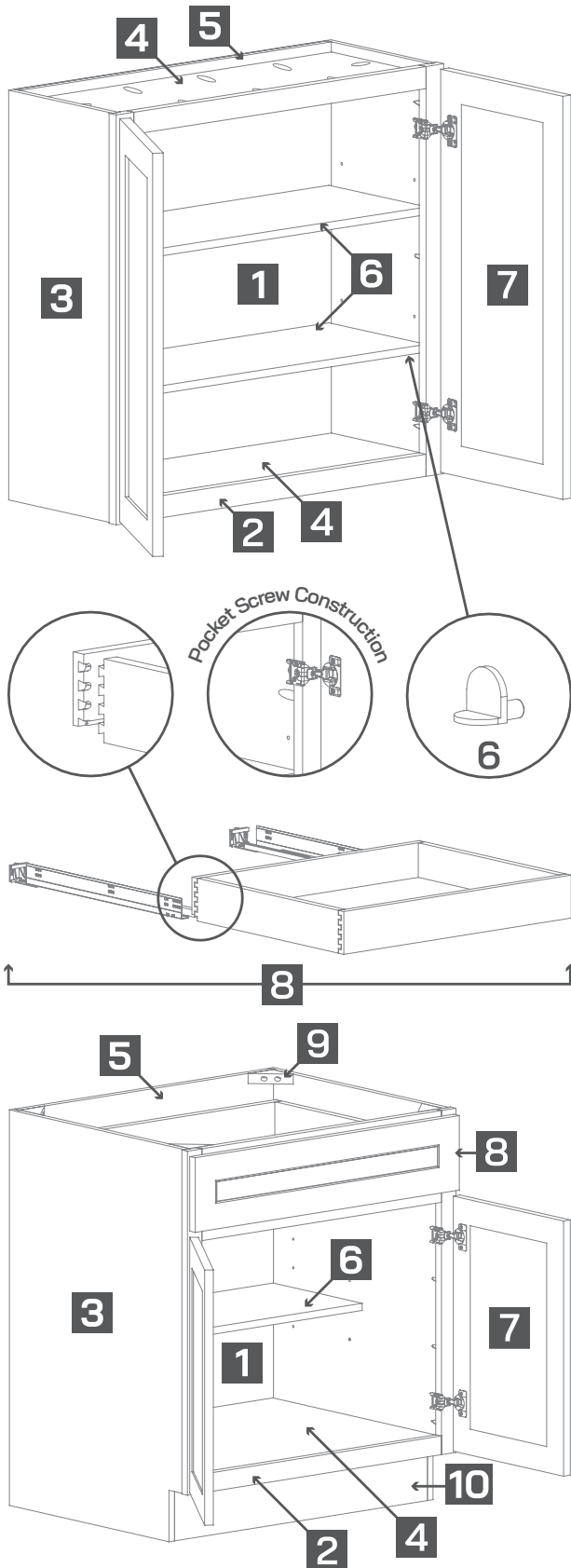
LIFETIME LIMITED WARRANTY:



EPA COMPLIANCE:



Construction



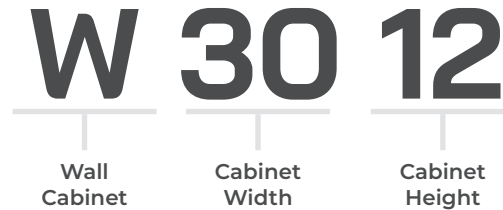
- 1** Natural hardwood interior
- 2** 3/4" solid hardwood face frame
- 3** 1/2" veneered plywood end panels with matching exterior finish
- 4** 1/2" veneered plywood, captured floor and ceiling panels with natural finish
- 5** 5/8" framed plywood back
- 6** 3/4" veneered plywood, adjustable shelving with metal shelf clips
- 7** Full overlay solid hardwood stile and rail with veneered or painted MDF center panel and 6-way adjustable, concealed soft-close hinges
- 8** Full overlay 5-piece drawer front with 1/2" finger jointed hardwood dovetailed drawer box, 3/8" veneered plywood drawer bottom, and full extension undermount soft-close drawer glides
- 9** 3/4" solid wood corner braces
- 10** 4-1/2" high and 1/2" thick unfinished veneered plywood toe kick

Choice Select[®]

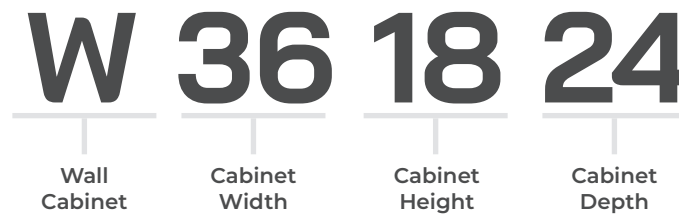
WALL CABINETS

CABINET NOMENCLATURE

The letter or letters always represent the name of the cabinet, the first set of numbers always represent the width of the cabinet, and the second set of numbers always represent the height of the cabinet:



Whenever a cabinet is shallower or deeper than the standard 12" for wall cabinets, it is always represented by a third set of numbers:



ORDER CODING

All cabinet order coding begins with the door style order code followed by the cabinet order code:



SPECIAL NOTES

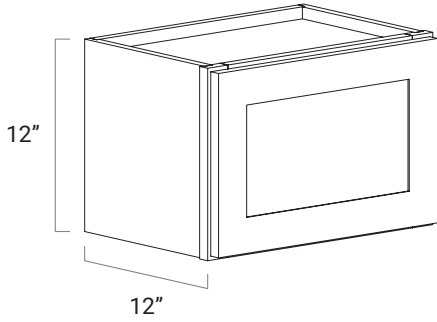
- Wall cabinetry is 12" deep unless otherwise noted

Wall Bridge Single Door 12" High

Available Door Styles: FMT, GRA, FRO, STE

- No shelf

W1812



Wall Bridge Double Door 12" High

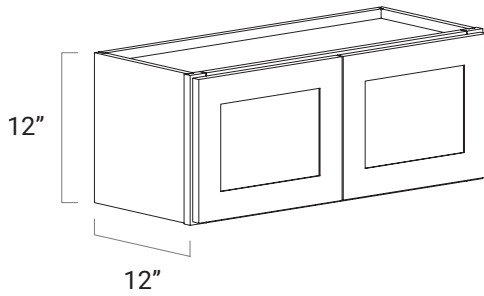
Available Door Styles: FMT, GRA, FRO, STE

- No shelf

W3012

W3312

W3612



Wall Bridge Double Door 15" High

Available Door Styles: FMT, GRA, FRO, STE

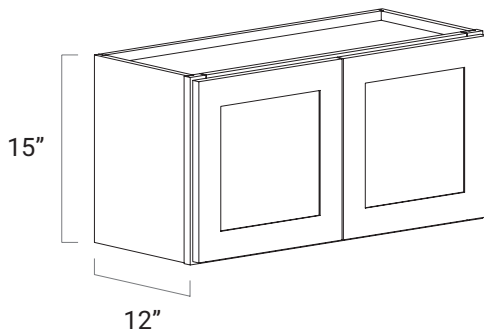
- No shelf

W2415

W3015

W3315

W3615

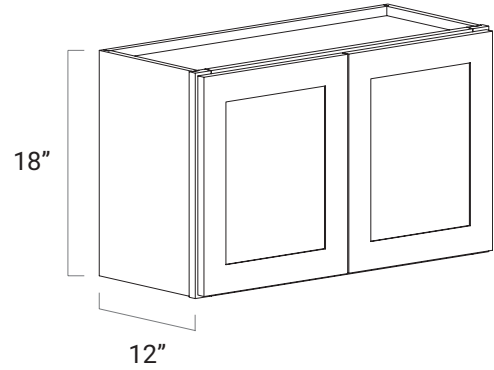


Wall Bridge Double Door 18" High

Available Door Styles: FMT, GRA, FRO, STE

W2418
W3018
W3318
W3618

- No shelf

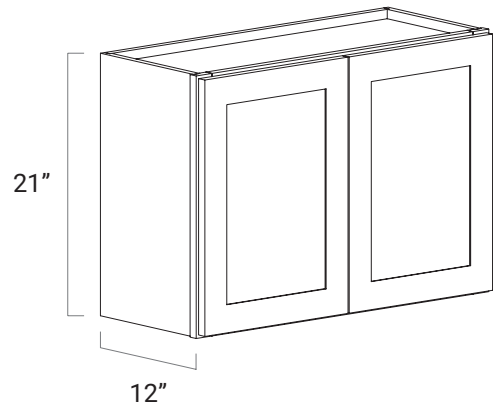


Wall Bridge Double Door 21" High

Available Door Styles: FMT, GRA, FRO, STE

W3021

- No shelf

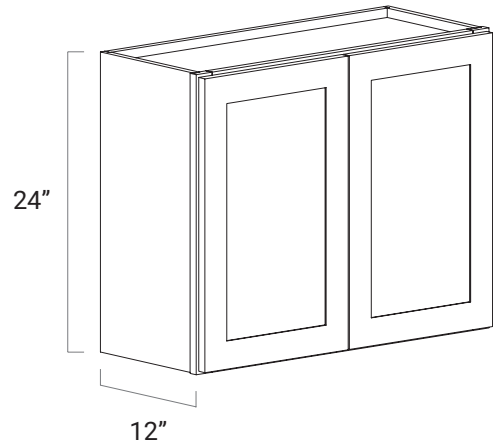


Wall Bridge Double Door 24" High

Available Door Styles: FMT, GRA, FRO, STE

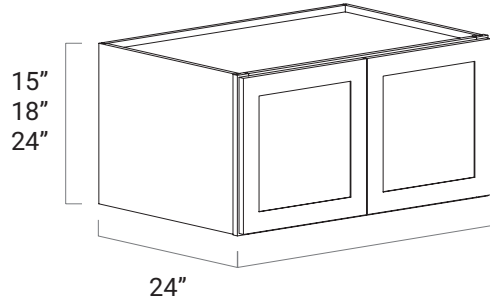
W2424
W3024
W3324
W3624

- One adjustable shelf



Wall Bridge Refrigerator Double Door 24" Deep

Available Door Styles: FMT, GRA, FRO, STE

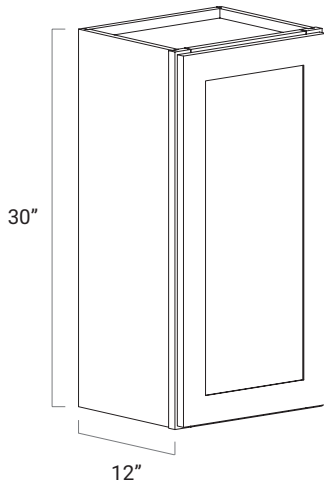


- No shelf
- Intended for installation between a combination of cabinets, refrigerator panels, or two walls for support
- (*) has one adjustable shelf

W331224
W331824
W332424*
W361224
W361524
W361824
W362424*

Wall Single Door 30" High

Available Door Styles: FMT, GRA, FRO, STE

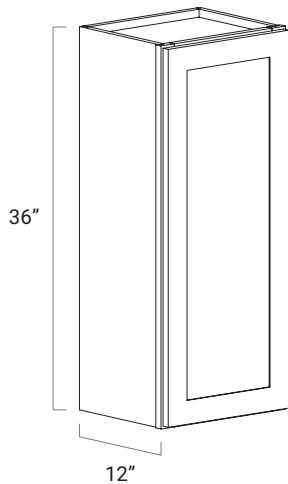


- Two adjustable shelves

W0930
W1230
W1530
W1830
W2130

Wall Single Door 36" High

Available Door Styles: FMT, GRA, FRO, STE



- Two adjustable shelves

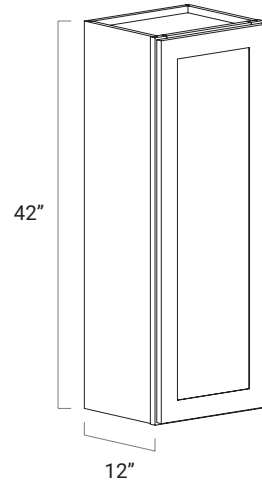
W0936
W1236
W1536
W1836
W2136

Wall Single Door 42" High

Available Door Styles: FMT, GRA, FRO, STE

W0942
W1242
W1542
W1842
W2142

- Three adjustable shelves

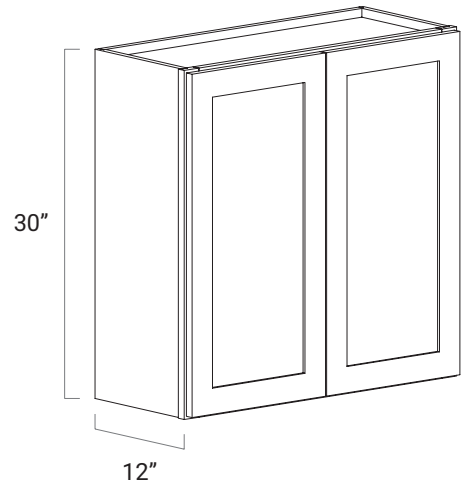


Wall Double Door 30" High

Available Door Styles: FMT, GRA, FRO, STE

W2430
W2730
W3030
W3330
W3630

- Two adjustable shelves

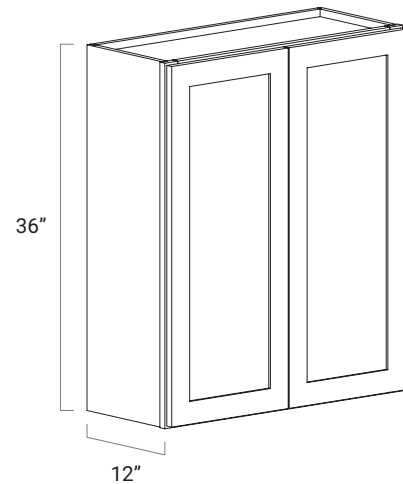


Wall Double Door 36" High

Available Door Styles: FMT, GRA, FRO, STE

W2436
W2736
W3036
W3336
W3636

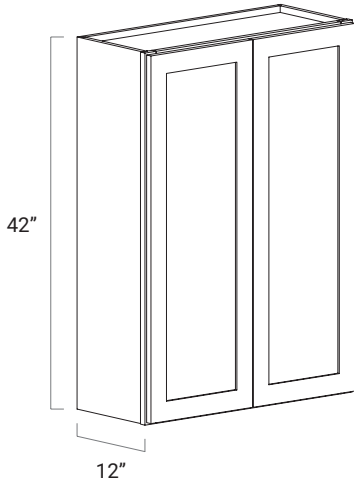
- Two adjustable shelves



Wall Double Door 42" High

Available Door Styles: FMT, GRA, FRO, STE

- Three adjustable shelves

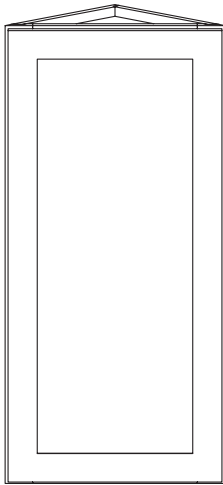


W2442
W2742
W3042
W3342
W3642

Angled Triangle Wall

Available Door Styles: FMT, GRA, FRO, STE

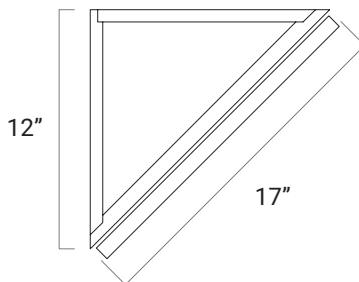
- Pre-assembled
- Two adjustable shelves
- (*) ATW1242 has three adjustable shelves



ATW1230
ATW1236
ATW1242*

ADDITIONAL VIEWS

TOP VIEW



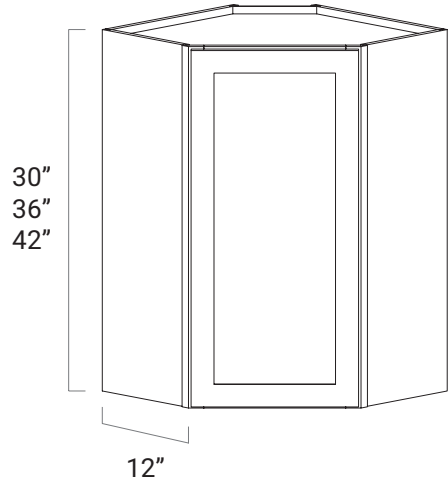
NOTES

Wall Diagonal Corner

Available Door Styles: FMT, GRA, FRO, STE

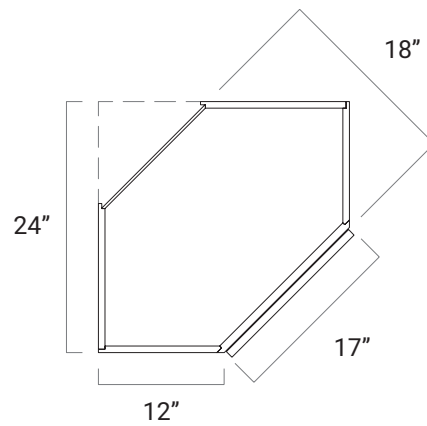
WDC2430
WDC2436
WDC2442*

- 24" wide
- Two adjustable shelves
- (*) WDC2442 has three adjustable shelves



ADDITIONAL VIEWS

TOP VIEW



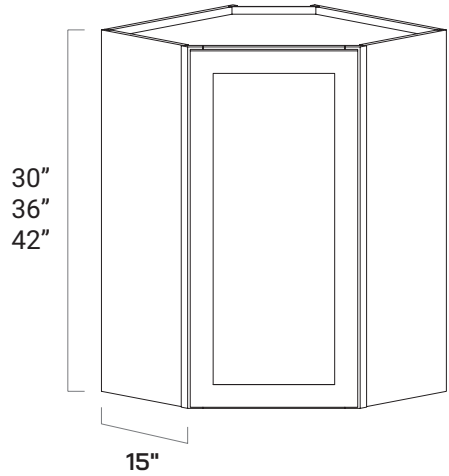
NOTES

Wall Diagonal Corner

Available Door Styles: FMT, GRA, FRO, STE

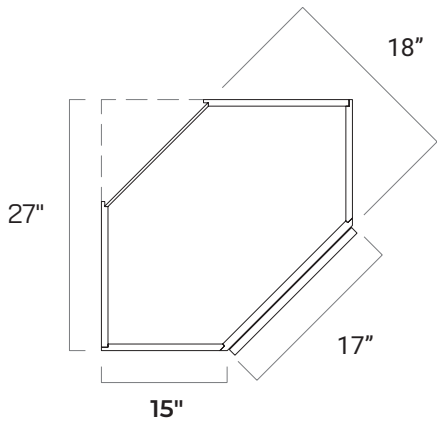
- 27" wide
- Two adjustable shelves
- (*) WDC2742 has three adjustable shelves

WDC2730
WDC2736
WDC2742*



ADDITIONAL VIEWS

TOP VIEW



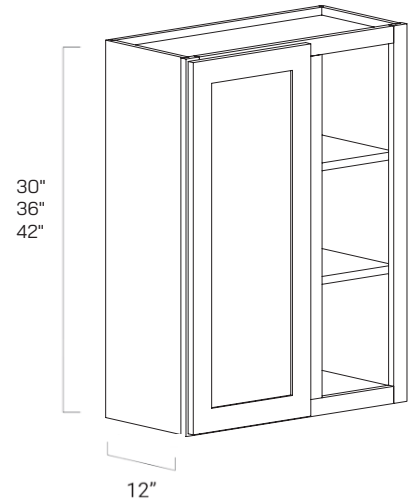
NOTES

Wall Single Door Blind Corner

Available Door Styles: FMT, GRA, FRO, STE

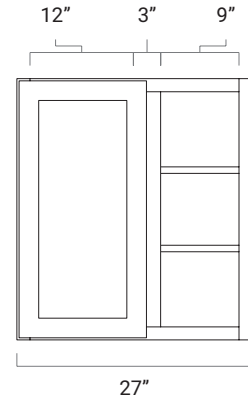
WBC2830
WBC2836
WBC2842*

- 27" wide
- Two adjustable shelves
- Must be pulled 1" from the adjacent wall for a total of 28" wide
- 3" wall filler included
- Cabinet can be flipped for left/right application
- Hinges are located on center stile of the face frame and can be flipped as necessary
- Same size door and opening as W1530, W1536, and W1542
- (*) WBC2842 has three adjustable shelves

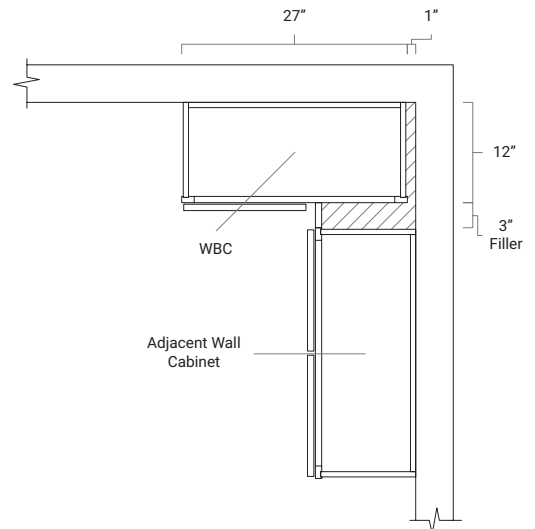


ADDITIONAL VIEWS

FACE FRAME OPENING DIMENSIONS



INSTALLATION DIAGRAM



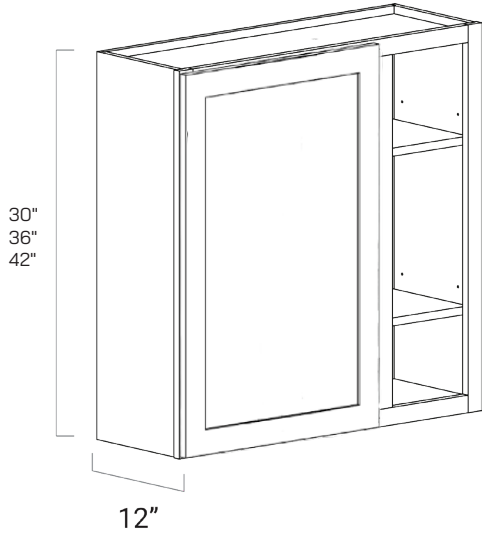
NOTES

Wall Double Door Blind Corner

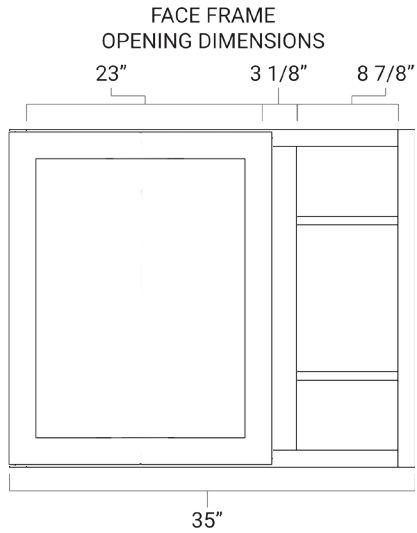
Available Door Styles: FMT, GRA, FRO, STE

- 35" wide
- Two adjustable shelves
- Must be pulled 1" from the adjacent wall for a total of 36" wide
- 3" wall filler included
- Cabinet can be flipped for left/right application
- (*) WBC3642 has three adjustable shelves

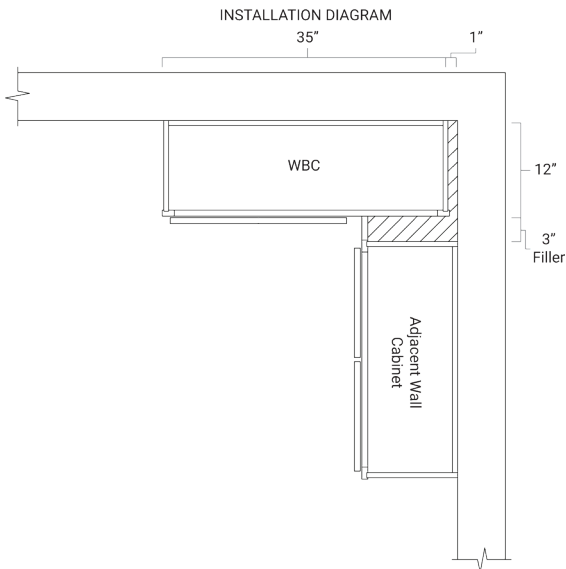
WBC3630
WBC3636
WBC3642*



ADDITIONAL VIEWS



NOTES

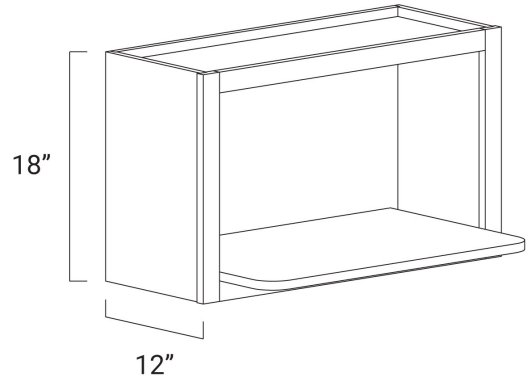


Wall Microwave

Available Door Styles: FMT, GRA, FRO, STE

MC3018

- Intended for “countertop” style microwave
- Finished interior
- Finished shelf is 5/8” thick and 18” deep
- Intended for installation between two cabinets or a cabinet and a wall



INTERIOR DIMENSIONS

SKU	WIDTH	HEIGHT	DEPTH
MC3018	28 1/4"	14 1/4"	10 5/8"

FRAME OPENING WITH SHELF DIMENSIONS

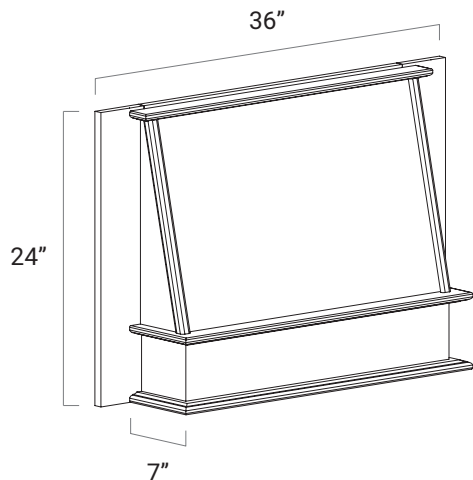
SKU	WIDTH	HEIGHT	DEPTH
MC3018	26 3/4"	14"	17 1/2"

NOTES

Wall Range Hood Front

Available Door Styles: FMT, GRA, FRO, STE

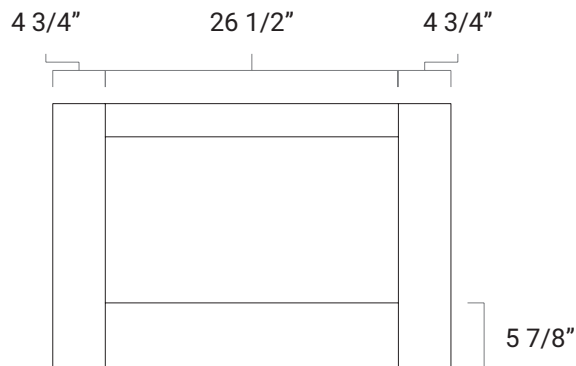
WRHF36-3024



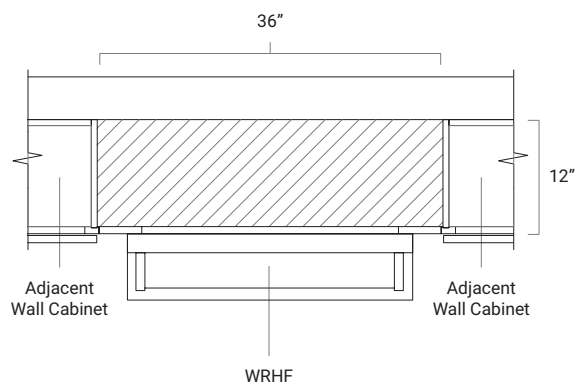
- Must be installed between two cabinets for support
- Before installing WRHF36-3024, the blower should be installed and the depth adjusted using fillers and/or panels to fit the blower
- WRHF36-3024 can be pulled from wall (15", 18", ...) per vent requirements
- Sides can be trimmed down to accommodate a 30" opening
- See NKBA Standard Cooking Surface Clearance for installation requirements

ADDITIONAL VIEWS

BACK VIEW



INSTALLATION DIAGRAM



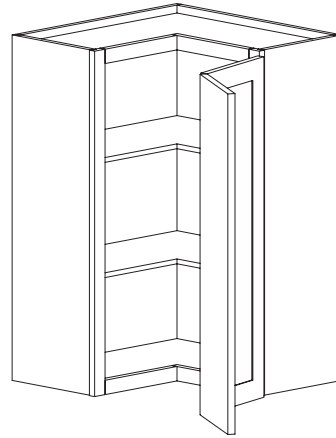
NOTES

Wall Easy Reach

Available Door Styles: FMT, GRA, FRO, STE

WEZR2430

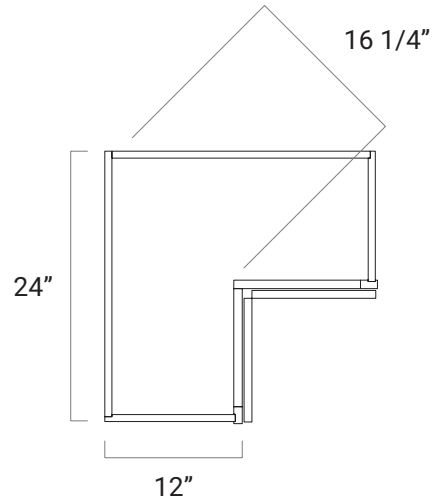
- Bi-folding door
- Two adjustable shelves
- Soft close not available



NOTES

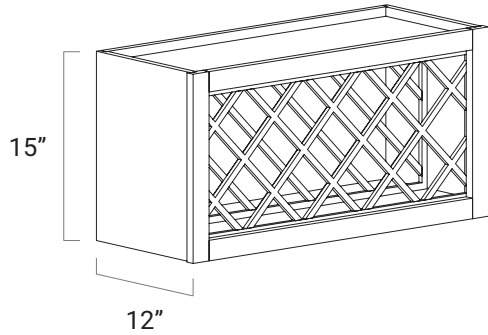
Horizontal lines for notes:

**ADDITIONAL VIEWS
TOP VIEW**



Wine Rack

Available Door Styles: FMT, GRA, FRO, STE

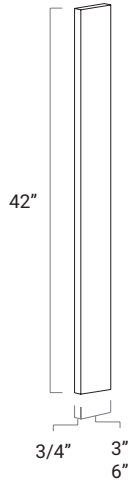


- Finished interior
- Holds up to thirteen 750ml bottles
- Can be used horizontally or vertically
- Can be used in a wall or base application

WR3015

Wall Filler

Available Door Styles: FMT, GRA, FRO, STE



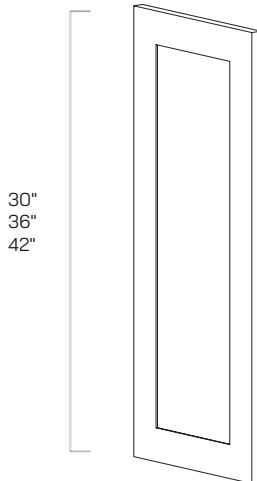
- 3/4" thick, solid wood
- Finished front and long sides
- Cut width/height to fit as necessary

WF342

WF642

Wall False Door

Available Door Styles: FMT, GRA, FRO, STE



- False door matches ordered door style
- 3/4" thick, decorative door panel for finishing sides of exposed cabinetry
- Back of the panel is flat and requires a WSK to sit flush on cabinet side

WFD1230

WFD1236

WFD1242

ACTUAL DOOR DIMENSIONS

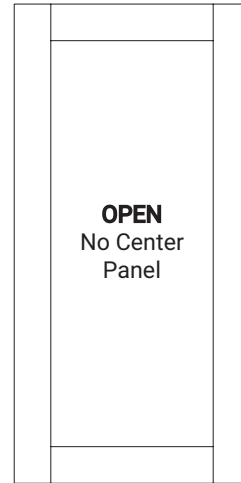
SKU	WIDTH	HEIGHT	DEPTH
WFD1230	11 1/2"	29 1/2"	3/4"
WFD1236	11 1/2"	35 1/2"	3/4"
WFD1242	11 1/2"	41 1/2"	3/4"

Cut Door for Glass

Available Door Styles: FMT, GRA, FRO, STE

-CG

- Glass not included
- To order a door cut for glass, you would start with the door style order code, followed by the cabinet SKU, and then "-CG" (example: **FMT W1536-CG**)
- Only available for wall and tall cabinetry doors

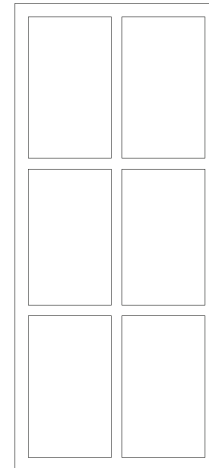


Traditional Mullion Door

Available Door Styles: FMT, GRA, FRO, STE

TR

- Includes door, mullion insert, and installation hardware
- Glass not included
- Mullion doors are sold individually, so you will need to enter a quantity of two for any two-door cabinets
- To order a mullion door, you would start with the door style order code, followed by the mullion SKU, and then the cabinet SKU (example: **FMT TR W1536**)
- Availability varies by cabinet size and mullion style

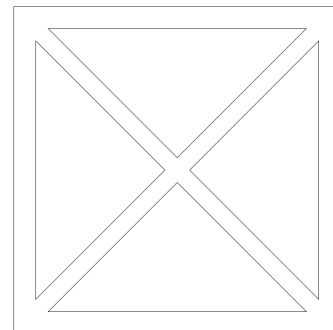


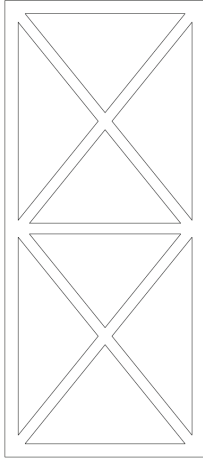
Single X Mullion Door

Available Door Styles: FMT, GRA, FRO, STE

1X

- Includes door, mullion insert, and installation hardware
- Glass not included
- Mullion doors are sold individually, so you will need to enter a quantity of two for any two-door cabinets
- To order a mullion door, you would start with the door style order code, followed by the mullion SKU, and then the cabinet SKU (example: **FMT 1X W1536**)
- Availability varies by cabinet size and mullion style



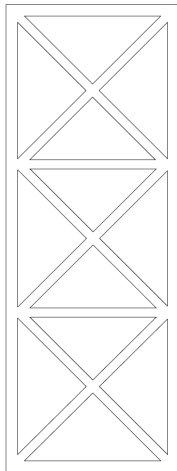


Double X Mullion Door

Available Door Styles: FMT, GRA, FRO, STE

- Includes door, mullion insert, and installation hardware
- Glass not included
- Mullion doors are sold individually, so you will need to enter a quantity of two for any two-door cabinets
- To order a mullion door, you would start with the door style order code, followed by the mullion SKU, and then the cabinet SKU (example: **FMT 2X W1536**)
- Availability varies by cabinet size and mullion style

2X



Triple X Mullion Door

Available Door Styles: FMT, GRA, FRO, STE

- Includes door, mullion insert, and installation hardware
- Glass not included
- Mullion doors are sold individually, so you will need to enter a quantity of two for any two-door cabinets
- To order a mullion door, you would start with the door style order code, followed by the mullion SKU, and then the cabinet SKU (example: **FMT 3X W1536**)
- Availability varies by cabinet size and mullion style

3X



Solid Panel Mullion Door

Available Door Styles: FMT, GRA, FRO, STE

- Includes door, mullion insert, and installation hardware
- Mullion doors are sold individually, so you will need to enter a quantity of two for any two-door cabinets
- To order a mullion door, you would start with the door style order code, followed by the mullion SKU, and then the cabinet SKU (example: **FMT SP W1536**)
- Availability varies by cabinet size and mullion style

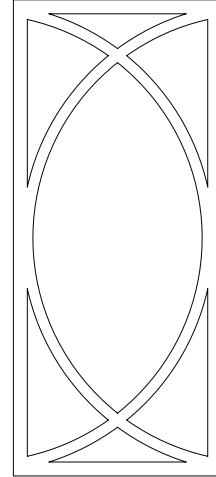
SP

Double C Mullion Door

Available Door Styles: FMT, GRA, FRO, STE

2C

- Includes door, mullion insert, and installation hardware
- Glass not included
- Mullion doors are sold individually, so you will need to enter a quantity of two for any two-door cabinets
- To order a mullion door, you would start with the door style order code, followed by the mullion SKU, and then the cabinet SKU (example: **FMT 2C W1536**)
- Availability varies by cabinet size and mullion style

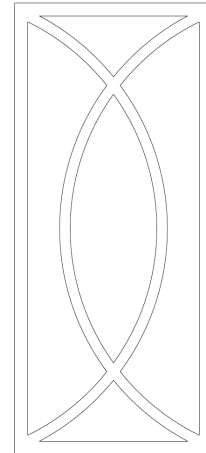


Crossing C Mullion Door

Available Door Styles: FMT, GRA, FRO, STE

CC

- Includes door, mullion insert, and installation hardware
- Glass not included
- Mullion doors are sold individually, so you will need to enter a quantity of two for any two-door cabinets
- To order a mullion door, you would start with the door style order code, followed by the mullion SKU, and then the cabinet SKU (example: **FMT CC W1536**)
- Availability varies by cabinet size and mullion style

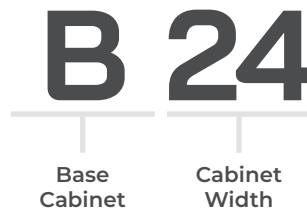


Choice Select[®]

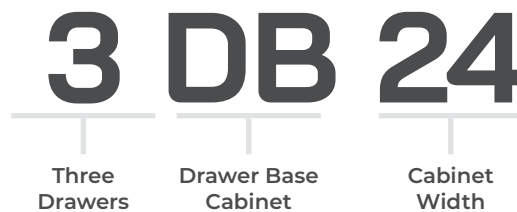
BASE CABINETS

CABINET NOMENCLATURE

The letter or letters always represent the name of the cabinet and the set of numbers always represent the width of the cabinet:



Whenever a base cabinet has all drawers and no doors, also known as a drawer base, the cabinet code will start with a number. That number represents the amount of drawers the cabinet has:



ORDER CODING

All cabinet order coding begins with the door style order code followed by the cabinet order code:



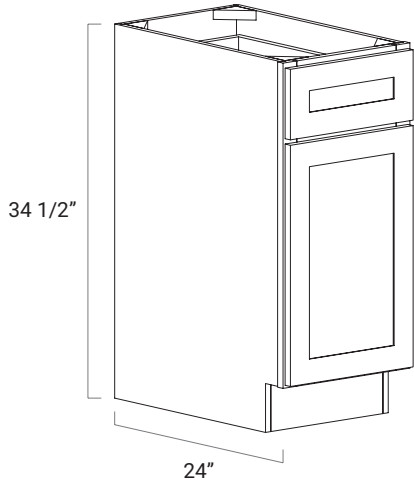
SPECIAL NOTES

- Base cabinetry is 24" deep unless otherwise noted
- Unless specified on the order, single door base cabinetry is hinged on the right side of the face frame and can be flipped in the field as necessary.

Base Single Door

Available Door Styles: FMT, GRA, FRO, STE

- One adjustable shelf

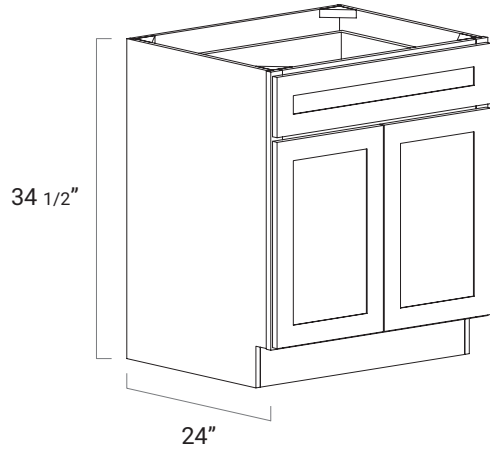


B09
B12
B15
B18
B21

Base Double Door

Available Door Styles: FMT, GRA, FRO, STE

- One adjustable shelf

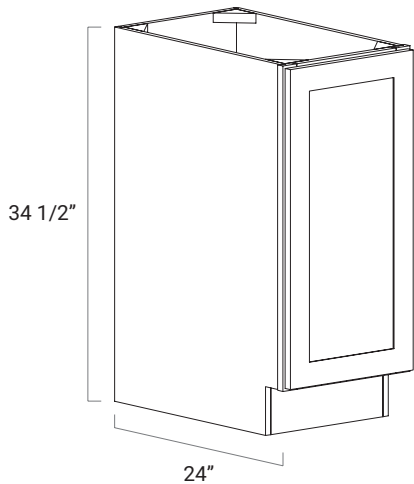


B24
B27
B30
B33
B36

Base Full Height

Available Door Styles: FMT, GRA, FRO, STE

- One adjustable shelf



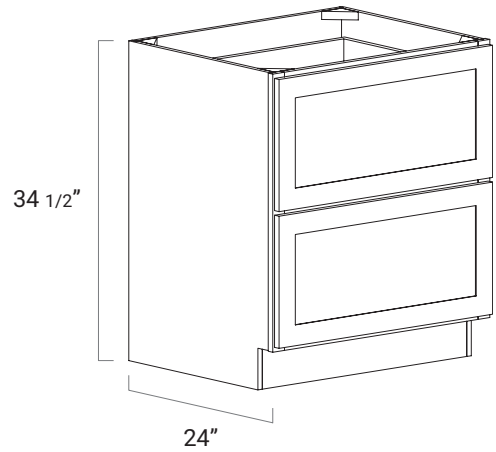
BFH09
BFH12
BFH15
BFH18
BFH21

Two Drawer Base

Available Door Styles: FMT, GRA, FRO, STE

2DB30
2DB36

- Two deep drawers

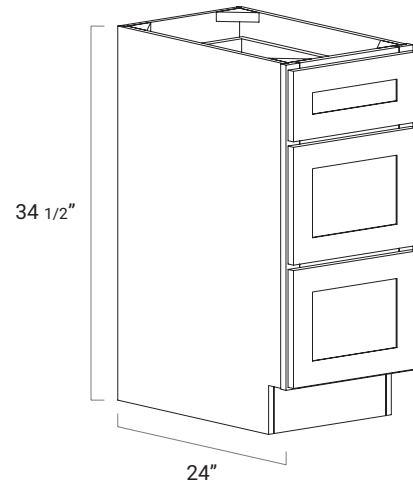


Three Drawer Base

Available Door Styles: FMT, GRA, FRO, STE

3DB12
3DB15
3DB18
3DB21
3DB24
3DB27
3DB30
3DB33
3DB36

- Two deep drawers
- Top drawer aligns with standard base cabinetry

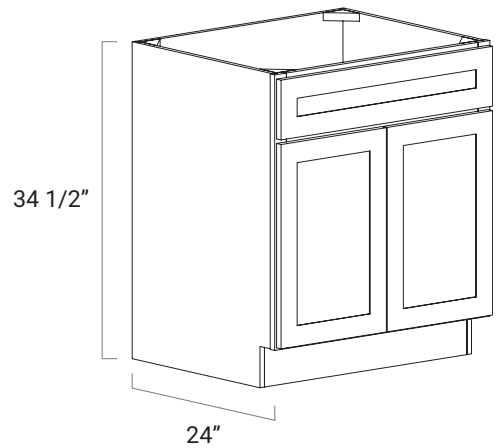


Sink Base

Available Door Styles: FMT, GRA, FRO, STE

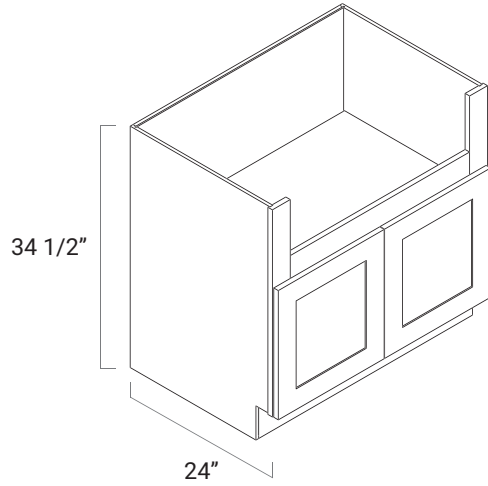
SB30
SB33
SB36

- False drawer front



Farmhouse Sink Base

Available Door Styles: FMT, GRA, FRO, STE



- 36" wide
- Accommodates most 30-36" wide farmhouse style sinks
- Face frame can be trimmed in the field per sink specifications
- 30" wide opening that can be cut to accommodate a 36" wide opening
- 8" high opening that can be cut to accommodate a 11" high opening
- Same size doors as W3618

FSB36

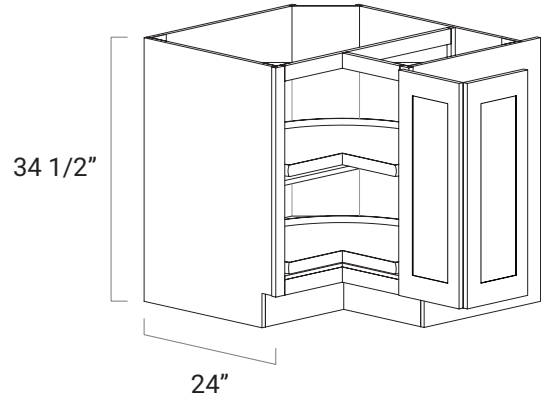
NOTES

Lazy Susan

Available Door Styles: FMT, GRA, FRO, STE

LS33-L
LS33-R
LS36-L
LS36-R*

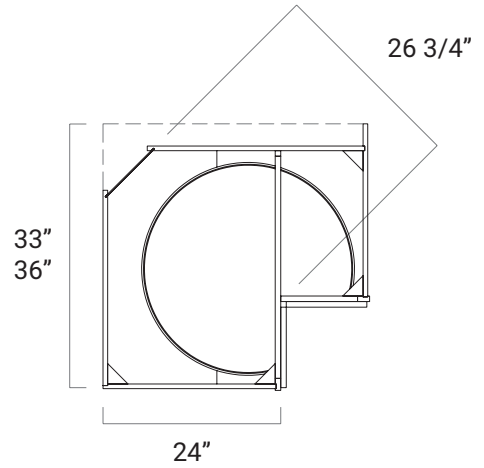
- Full height, bi-folding door
- Two rotating pie-cut trays
- Trays are made of wood veneered plywood with a solid wood perimeter lip
- Undermount rotating bearings allow for independent rotation and full access to trays
- Soft close not available
- Magnetic door catch attached
- (*) LS36-R shown



NOTES

ADDITIONAL VIEWS

TOP VIEW

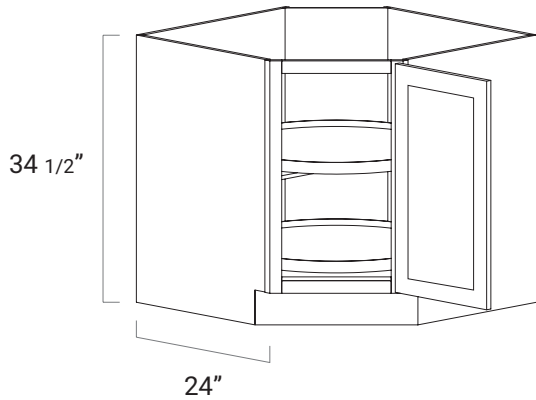


Lazy Susan Diagonal Door

Available Door Styles: FMT, GRA, FRO, STE

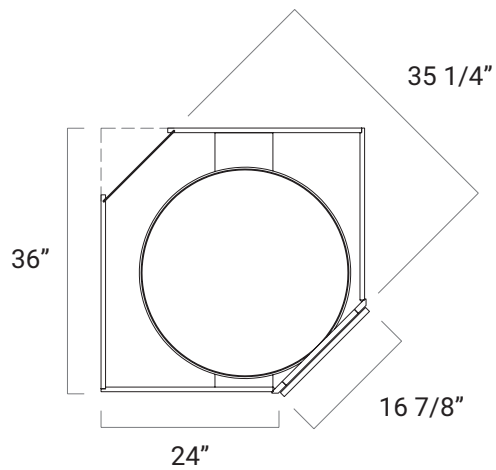
LS36DD

- Full height door
- Two rotating full circle trays
- Trays are made of wood veneered plywood with a solid wood perimeter lip
- Undermount rotating bearing allows for independent rotation and full access to trays



ADDITIONAL VIEWS

TOP VIEW



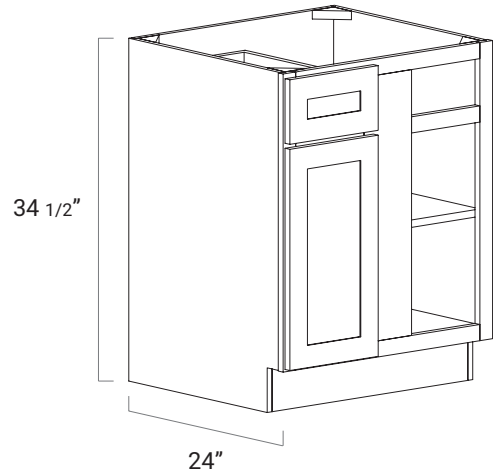
NOTES

Base Blind Corner

Available Door Styles: FMT, GRA, FRO, STE

BBC39

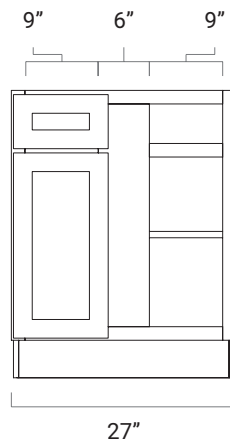
- One adjustable shelf
- Cabinet is 27" wide and must be pulled a minimum of 12" from adjacent wall
- Door and drawer can be flipped for left or right application during assembly
- 3" filler included
- Hinges are located on the center stile of the face frame and can be flipped as necessary
- Same size door, drawer, and door opening as B12



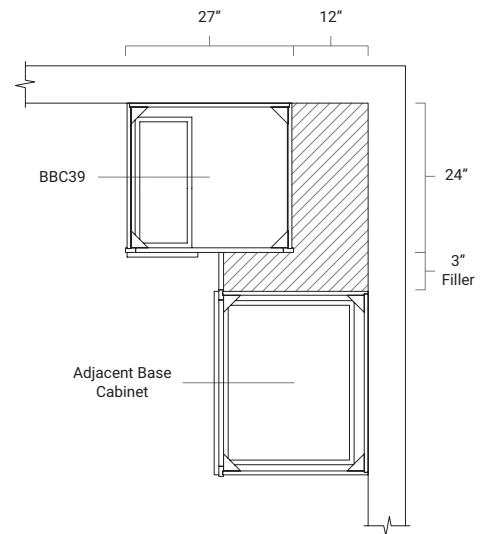
NOTES

ADDITIONAL VIEWS

FACE FRAME OPENING DIMENSIONS



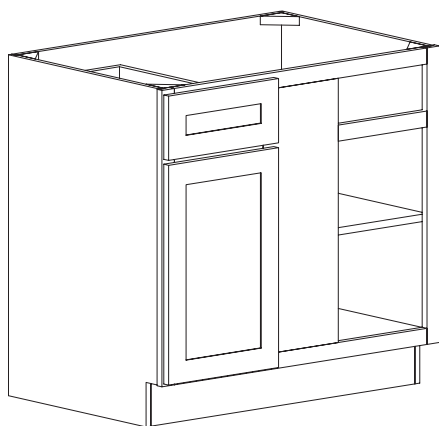
INSTALLATION DIAGRAM (BBC39 SHOWN)



Base Blind Corner

Available Door Styles: FMT, GRA, FRO, STE

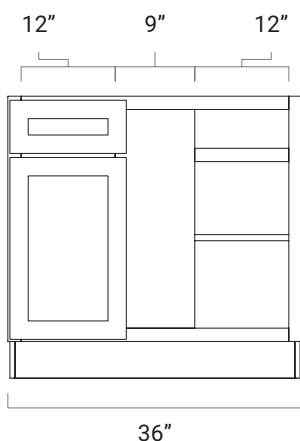
BBC43-46



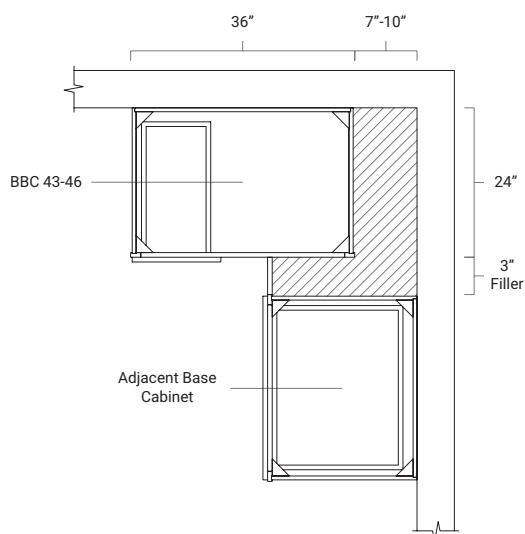
- One adjustable shelf
- Cabinet is 36" wide and must be pulled a minimum of 7" or a maximum of 10" from adjacent wall
- Door and drawer can be flipped for left or right application during assembly
- 3" filler included
- Hinges are located on the center stile of the face frame and can be flipped as necessary
- Same size door, drawer, and opening as B15

ADDITIONAL VIEWS

FACE FRAME OPENING DIMENSIONS



INSTALLATION DIAGRAM



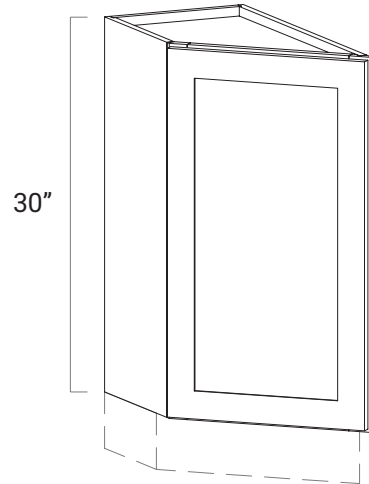
NOTES

Angled Full Height Base

Available Door Styles: FMT, GRA, FRO, STE

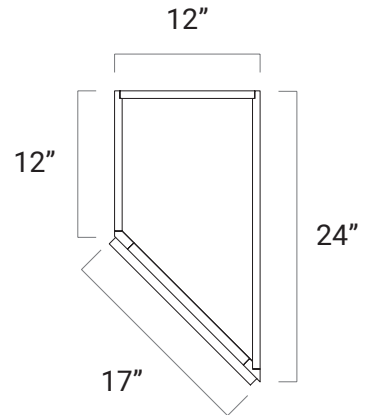
AFHB12

- One adjustable shelf
- Full height door
- Hinged on short side
- Toe kick is not included so cabinet can be used right or left hand by inverting the cabinet
- Installer must build toe kick support and conceal with TK8



ADDITIONAL VIEWS

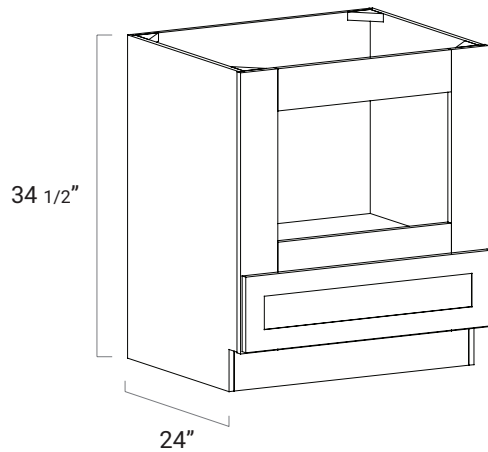
TOP VIEW



NOTES

Microwave Base

Available Door Styles: FMT, GRA, FRO, STE

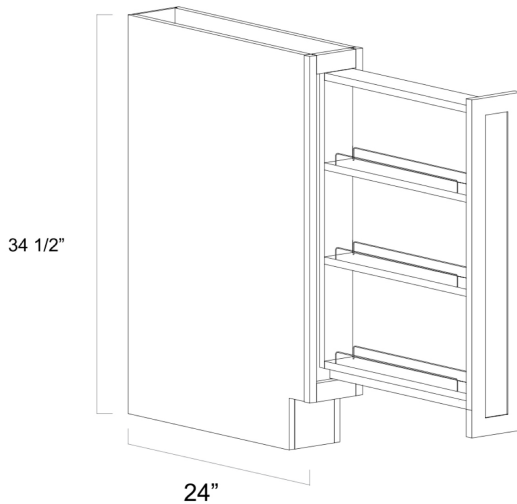


- 30" wide
- 8" high drawer
- Finished interior
- 14" high opening that can be cut to accommodate a 18" high opening*
- 21" wide opening that can be cut to accommodate a 27" wide opening*
- (*) 4 1/2" pocket frame stiles can be modified as necessary

MWB30

Base Pantry Pull Out

Available Door Styles: FMT, GRA, FRO, STE

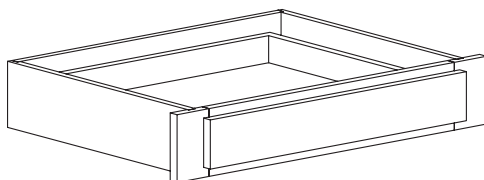


- 6" wide
- Pre-assembled
- 5-piece front
- Full extension glides with soft close
- Hardwood interior
- Requires decorative hardware to pull open
- Can hold a variety of spice container sizes

BPP6

Knee Drawer

Available Door Styles: FMT, GRA, FRO, STE



- 30" wide
- 5" high face frame
- 21" deep
- Extended stiles allow for face frame to be cut down to 27" wide
- Side-mount, soft-close ball bearing drawer glides

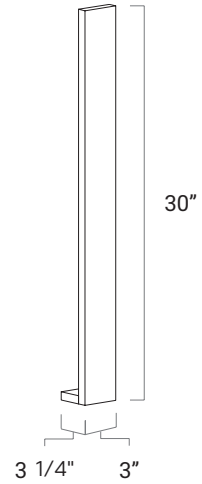
KD30

Base Filler

Available Door Styles: FMT, GRA, FRO, STE

BF3

- 3/4" thick, solid wood
- Finished front, back, and sides
- Cut width/height to fit as necessary

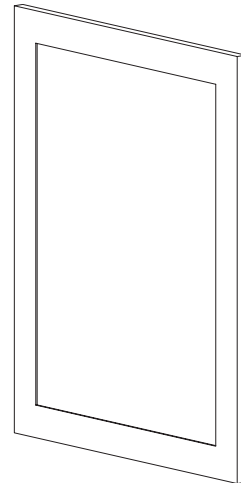


Base False Door

Available Door Styles: FMT, GRA, FRO, STE

BFD

- False door matches ordered door style
- 3/4" thick, decorative door panel for finishing sides of exposed cabinetry
- Back of the panel is flat and requires a BSK to sit flush on cabinet side



ACTUAL DOOR DIMENSIONS

SKU	WIDTH	HEIGHT	DEPTH
BFD	23 1/2"	29 1/2"	3/4"

Choice Select®

TALL CABINETS

CABINET NOMENCLATURE

The letter or letters always represent the name of the cabinet, the first set of numbers always represent the width of the cabinet, and the second set of numbers always represent the height of the cabinet:

UP 18 84

Utility Pantry Cabinet Cabinet Width Cabinet Height

ORDER CODING

All cabinet order coding begins with the door style order code followed by the cabinet order code:

FMT UP1884

Door Style Order Code Cabinet Order Code

SPECIAL NOTES

- Tall cabinetry is 24" deep unless otherwise noted

Utility Pantry Single Door

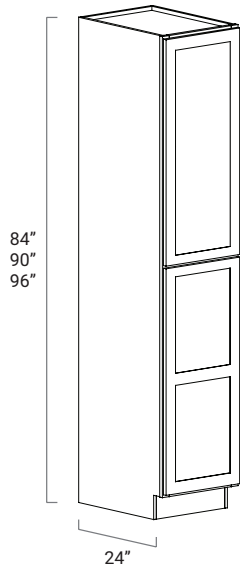
Available Door Styles: FMT, GRA, FRO, STE

- Lower door has center rail, creating a two-door panel door design
- Accepts 18" rollout trays (ACC ROT18 ordered separately)
- Magnetic door catch attached

UP1884

UP1890

UP1896



ADDITIONAL INFORMATION

SKU	UPPER DOOR HEIGHT	# OF UPPER SHELVES	# OF LOWER SHELVES
UP1884	30"	ONE	TWO
UP1890	36"	ONE	TWO
UP1896	42"	TWO	TWO

NOTES

Utility Pantry Double Door

Available Door Styles: FMT, GRA, FRO, STE

UP2484
UP2490
UP2496
UP3084
UP3090
UP3096

- Lower door has center rail, creating a two-door panel door design
- 24" wide pantries accept 24" rollout trays (ACC ROT24 ordered separately)
- 30" wide pantries accept 30" rollout trays (ACC ROT30 ordered separately)
- Magnetic door catch attached



ADDITIONAL INFORMATION

SKU	UPPER DOOR HEIGHT	# OF UPPER SHELVES	# OF LOWER SHELVES
UP2484	30"	ONE	TWO
UP2490	36"	ONE	TWO
UP2496	42"	TWO	TWO
UP3084	30"	ONE	TWO
UP3090	36"	ONE	TWO
UP3096	42"	TWO	TWO

NOTES

Double Oven Cabinet

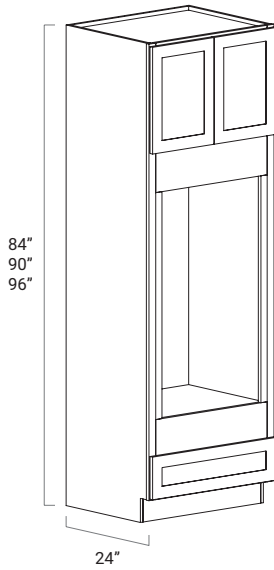
Available Door Styles: FMT, GRA, FRO, STE

- No shelf in top section
- One drawer in lower section

OVD3384

OVD3390

OVD3396



FRAME OPENING (MINIMUM) DIMENSIONS

SKU	WIDTH	HEIGHT	DEPTH
OVD3384	27"	29 1/4"	22 5/8"
OVD3390	27"	29 1/4"	22 5/8"
OVD3396	27"	29 1/4"	22 5/8"

FRAME OPENING (MAXIMUM) DIMENSIONS

SKU	WIDTH	HEIGHT	DEPTH
OVD3384	31 1/4"	66"	23 3/8"
OVD3390	31 1/4"	66"	23 3/8"
OVD3396	31 1/4"	66"	23 3/8"

ADDITIONAL INFORMATION

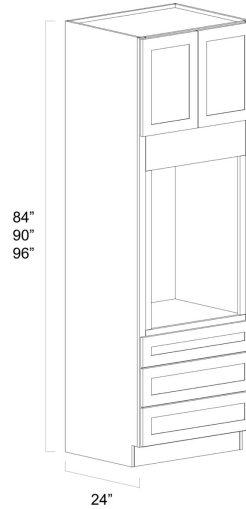
SKU	UPPER DOOR HEIGHT
OVD3384	11 1/2"
OVD3390	17 1/2"
OVD3396	23 1/2"

Oven Cabinet

Available Door Styles: FMT, GRA, FRO, STE

OV3384
OV3390
OV3396

- No shelf in top section
- Three drawers in lower section
- Removable drawers and trimmable frame allow for larger appliances



FRAME OPENING (MINIMUM) DIMENSIONS

SKU	WIDTH	HEIGHT	DEPTH
OV3384	27"	28 1/2"	22 5/8"
OV3390	27"	28 1/2"	22 5/8"
OV3396	27"	28 1/2"	22 5/8"

FRAME OPENING (MAXIMUM) DIMENSIONS

SKU	WIDTH	HEIGHT	DEPTH
OV3384	31 1/4"	66"	23 3/8"
OV3390	31 1/4"	66"	23 3/8"
OV3396	31 1/4"	66"	23 3/8"

ADDITIONAL INFORMATION

SKU	UPPER DOOR HEIGHT
OV3384	11 1/2"
OV3390	17 1/2"
OV3396	23 1/2"

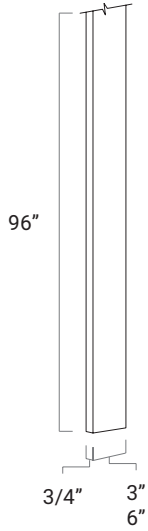
Tall Filler

Available Door Styles: FMT, GRA, FRO, STE

- 3/4" thick, solid wood
- Finished front and sides
- Cut width/height to fit as necessary

TF396

TF696



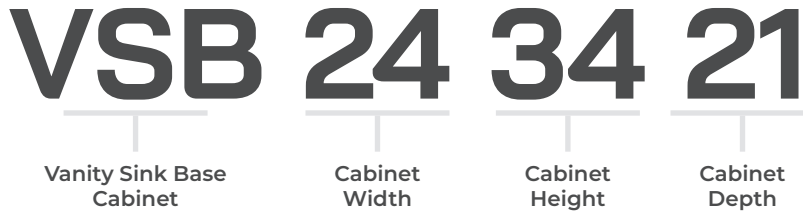
NOTES

Choice Select®

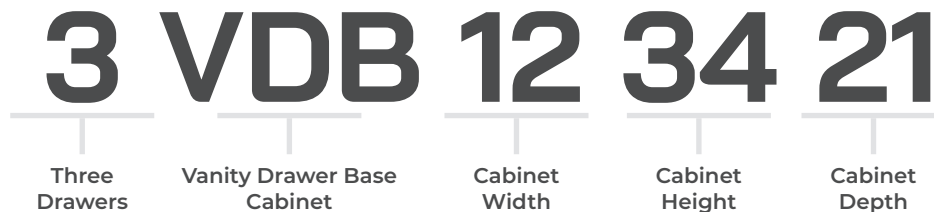
BATHROOM VANITY CABINETS

CABINET NOMENCLATURE

The letter or letters always represent the name of the cabinet, the first set of numbers always represent the width of the cabinet, the second set of numbers always represent the height of the cabinet, and the third set of numbers always represent the depth of the cabinet:



Whenever a bathroom vanity cabinet has all drawers and no doors, also known as a vanity drawer base, the cabinet code will start with a number. That number represents the amount of drawers the cabinet has:



ORDER CODING

All cabinet order coding begins with the door style order code followed by the cabinet order code:

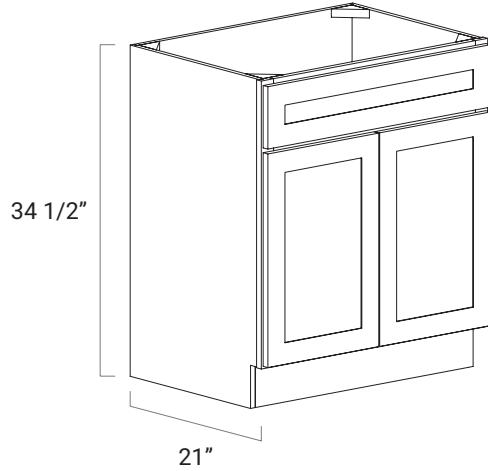


SPECIAL NOTES

- Bathroom vanity cabinetry is 34 1/2" high and 21" deep unless otherwise noted

Vanity Sink Base

Available Door Styles: FMT, GRA, FRO, STE



- No shelf
- For single bowl installation only
- Two doors
- Top drawer is a false door front
- Finished toe kick included (made to width of cabinet)

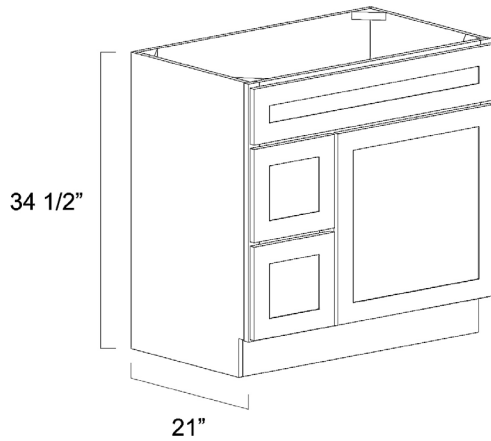
VSB243421

VSB303421

VSB363421

Vanity Combo Two Drawer / One Door

Available Door Styles: FMT, GRA, FRO, STE



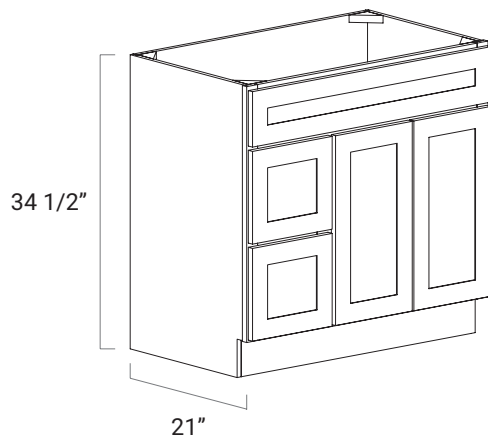
- No shelf
- For single bowl installation only
- Drawers remain a constant 12" wide
- Top drawer is a false drawer front
- Finished toe kick included (made to width of cabinet)
- (*) V303421L shown

V303421L*

V303421R

Vanity Combo Two Drawer / Two Door

Available Door Styles: FMT, GRA, FRO, STE



- No shelf
- For single bowl installation only
- Drawers remain a constant 12" wide
- Top drawer is a false drawer front
- Finished toe kick included (made to width of cabinet)
- (*) V363421L shown

V363421L*

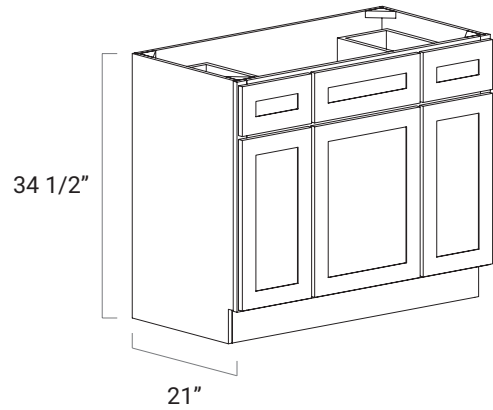
V363421R

Vanity Combo Two Drawer / Three Door

Available Door Styles: FMT, GRA, FRO, STE

V423421

- No shelf
- For single bowl installation only
- Drawers remain a constant 12" wide
- Top middle drawer is a false drawer front
- Finished toe kick included (made to width of cabinet)



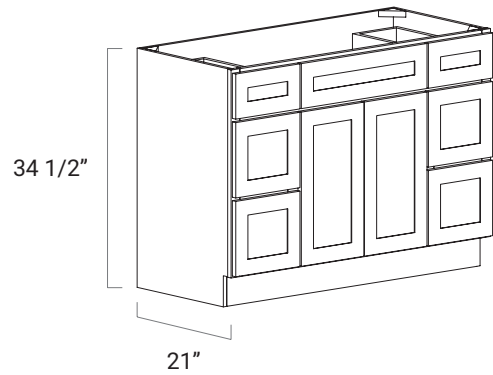
Vanity Combo Six Drawer / Two Door

Available Door Styles: FMT, GRA, FRO, STE

V483421

V603421S

- No shelf
- For single bowl installation only
- Drawers remain a constant 12" wide
- Top middle drawer is a false drawer front
- Finished toe kick included (made to width of cabinet)

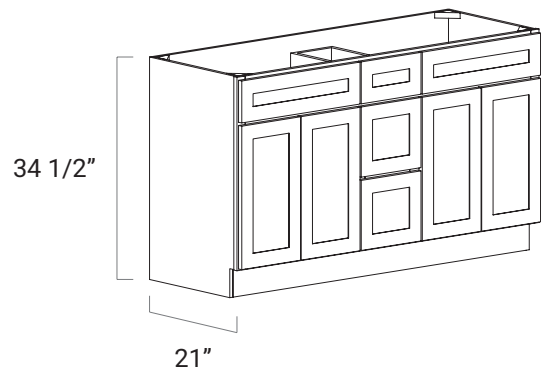


Vanity Combo Three Drawer / Four Door

Available Door Styles: FMT, GRA, FRO, STE

V603421D

- No shelf
- For double bowl installation only
- Drawers remain a constant 12" wide
- Two outside top drawers are false drawer fronts
- Finished toe kick included (made to width of cabinet)



Three Drawer Vanity Drawer Base

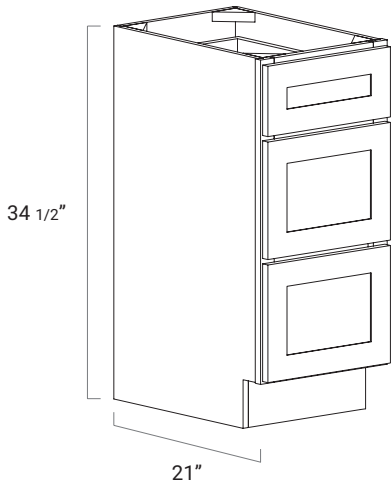
Available Door Styles: FMT, GRA, FRO, STE

- Top drawer aligns with standard base cabinetry
- Two deep drawers
- Finished toe kick included (made to width of cabinet)

3VDB123421

3VDB153421

3VDB183421



NOTES

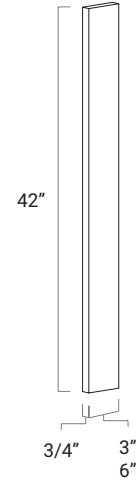
Bathroom Vanity Filler

Available Door Styles: FMT, GRA, FRO, STE

WF342

WF642

- 3/4" thick, solid wood
- Finished front and sides
- Cut width/height to fit as necessary



NOTES

Choice Select[®]

PANELS & SKINS

ORDER CODING

All panel and skin order coding begins with the door style order code followed by the panel or skin order code:



SPECIAL NOTES

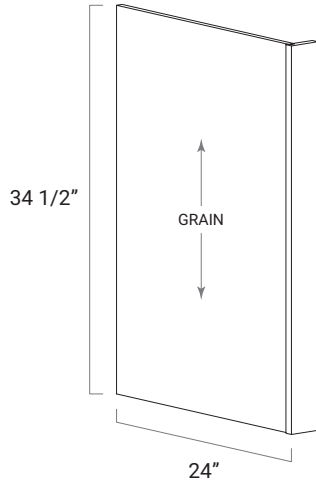
- Consider grain direction when designing
- Use BM8, OC8 and SCM8 to finish seams, end of runs, and corners where panels meet

Dishwasher Panel

Available Door Styles: FMT, GRA, FRO, STE

- Intended for use next to a dishwasher
- 3/4" thick, veneered plywood panel, finished on outside
- Panel bored for assembly along one unfinished side
- 3" wide, 3/4" thick, solid wood return filler, finished on front and sides

DWP



ADDITIONAL VIEWS

TOP VIEW



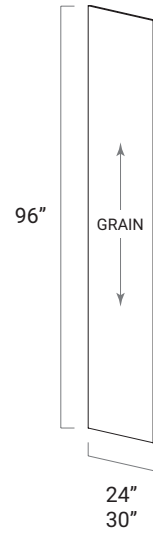
NOTES

Refrigerator Panel

Available Door Styles: FMT, GRA, FRO, STE

RP2496
RP3096

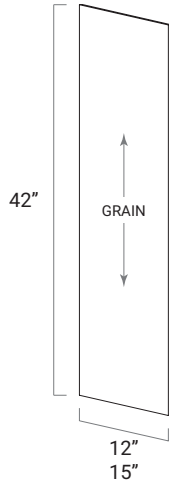
- Intended for use next to or flanking a refrigerator to conceal sides and support wall cabinetry above the appliance
- 3/4" thick, veneered plywood panel, finished on both sides
- Panel bored for assembly along one side
- 1-1/2" wide, 3/4" thick, solid wood return filler, finished on front and sides



ADDITIONAL VIEWS



NOTES



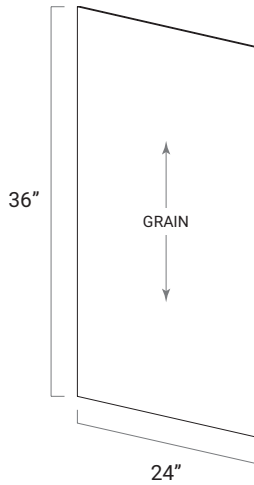
Wall Skin

Available Door Styles: FMT, GRA, FRO, STE

- 1/4" thick
- One finished side
- Intended for skinning sides of wall cabinetry
- Cut width and height to fit
- Used to make sure side of cabinet is flush with frame
- For stained finish, construction is either veneered plywood or MDF core
- For painted finish, construction is MDF core

WSK1242

WSK1542

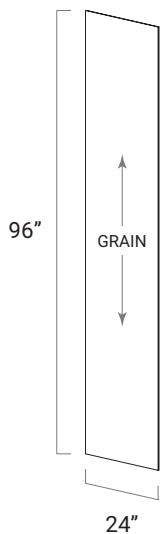


Base Skin

Available Door Styles: FMT, GRA, FRO, STE

- 1/4" thick
- One finished side
- Intended for skinning sides of base cabinetry
- Cut width and height to fit
- Notch for toe kick in field as necessary
- Used to make sure side of cabinet is flush with frame
- For stained finish, construction is either veneered plywood or MDF core
- For painted finish, construction is MDF core

BSK



Tall Skin

Available Door Styles: FMT, GRA, FRO, STE

- 1/4" thick
- One finished side
- Intended for skinning sides of tall cabinetry
- Cut width and height to fit
- Notch for toe kick in field as necessary
- Used to make sure side of cabinet is flush with frame
- For stained finish, construction is either veneered plywood or MDF core
- For painted finish, construction is MDF core

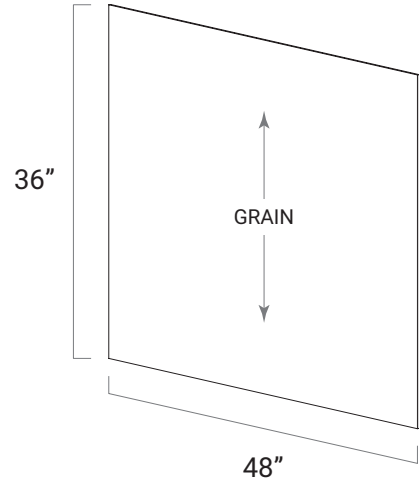
TSK2496

Back Skin

Available Door Styles: FMT, GRA, FRO, STE

BS4836

- 1/4" thick
- One finished side
- Intended for skinning exposed backs of peninsulas, islands, and other design applications

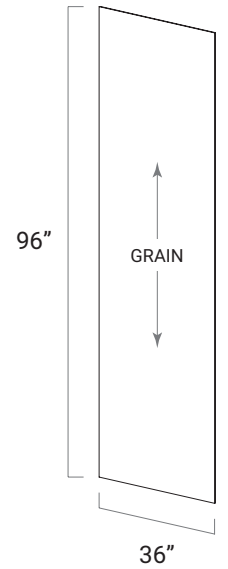


Back Skin

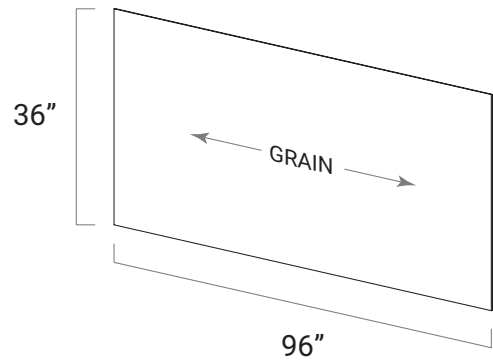
Available Door Styles: FMT, GRA, FRO, STE

BS9636

- 1/4" thick
- One finished side
- Intended for skinning exposed backs of peninsulas, islands, and other design applications
- Grain runs parallel with 96" sides



ADDITIONAL VIEWS

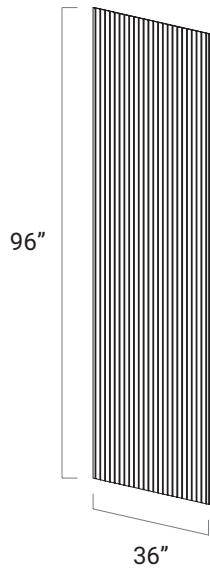


Tall Skin Beadboard

Available Door Styles: FMT, FRO

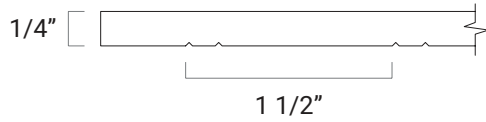
- 1/4" thick
- One finished side
- Intended for skinning exposed backs of peninsulas, islands, and other design applications
- Grain runs parallel with 96" sides

TSKBB3696



ADDITIONAL VIEWS

TOP VIEW



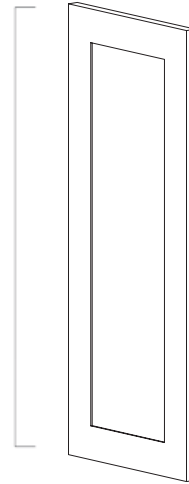
NOTES

Wall False Door

Available Door Styles: FMT, GRA, FRO, STE

WFD1230
WFD1236
WFD1242

- False door matches ordered door style
- 3/4" thick, decorative door panel for finishing sides of exposed cabinetry
- Back of the panel is flat and requires a WSK to sit flush on cabinet side



ACTUAL DOOR DIMENSIONS

SKU	WIDTH	HEIGHT	DEPTH
WFD1230	11 1/2"	29 1/2"	3/4"
WFD1236	11 1/2"	35 1/2"	3/4"
WFD1242	11 1/2"	41 1/2"	3/4"

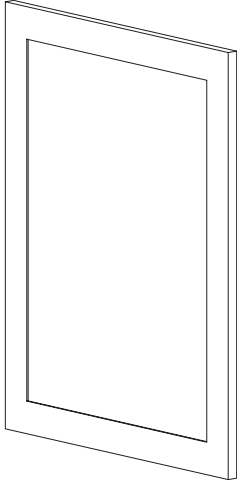
NOTES

Base False Door

Available Door Styles: FMT, GRA, FRO, STE

- False door matches ordered door style
- 3/4" thick, decorative door panel for finishing sides of exposed cabinetry
- Back of the panel is flat and requires a BSK to sit flush on cabinet side

BFD



ACTUAL DOOR DIMENSIONS

SKU	WIDTH	HEIGHT	DEPTH
BFD	23 1/2"	29 1/2"	3/4"

NOTES

Choice Select®




MOLDING & TRIM

ORDER CODING

All molding and trim order coding begins with the door style order code followed by the molding and trim order code:



MOLDING & TRIM CONSTRUCTION KEY

-  Indicates Solid Wood
-  Indicates Veneered MDF
-  Indicates Veneered Plywood

SPECIAL NOTES

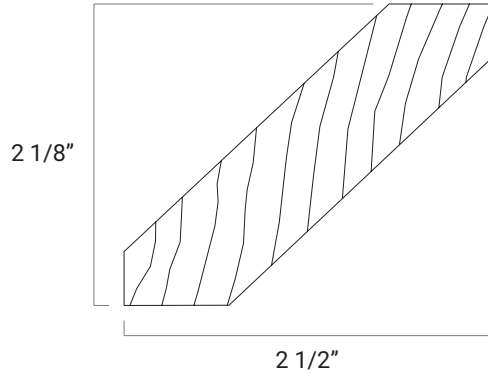
- Use BM8, OC8 and SCM8 to finish seams, end of runs, and corners where panels meet

Angled Crown Molding

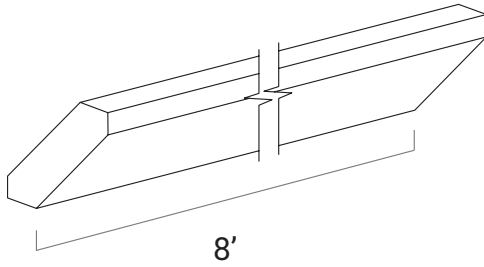
Available Door Styles: FMT, GRA, FRO, STE

- Solid wood
- Molding comes in a single 8' piece

ACM8



ADDITIONAL VIEWS



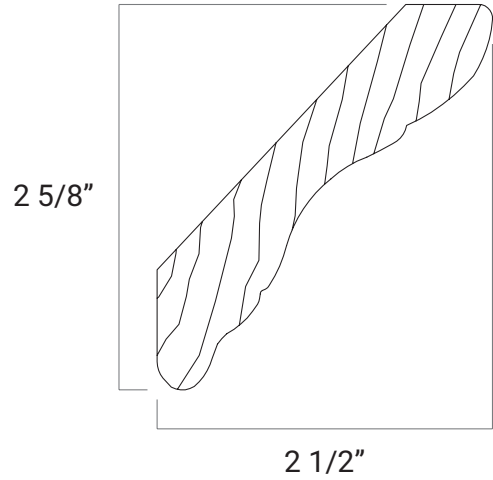
NOTES

Crown Molding

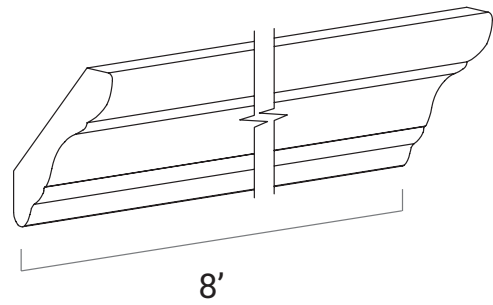
Available Door Styles: FMT, GRA, FRO, STE

CM8

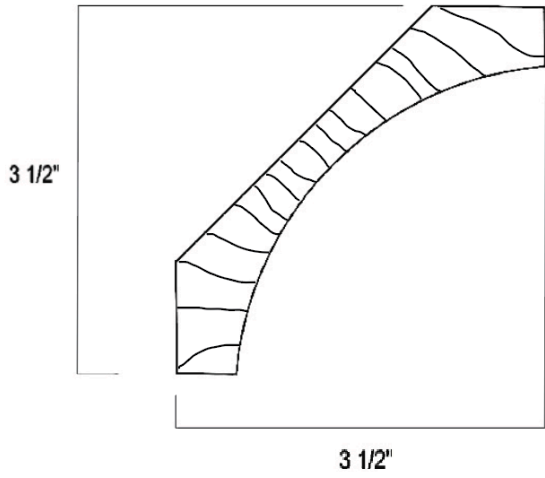
- Solid wood
- Molding comes in a single 8' piece



ADDITIONAL VIEWS



NOTES



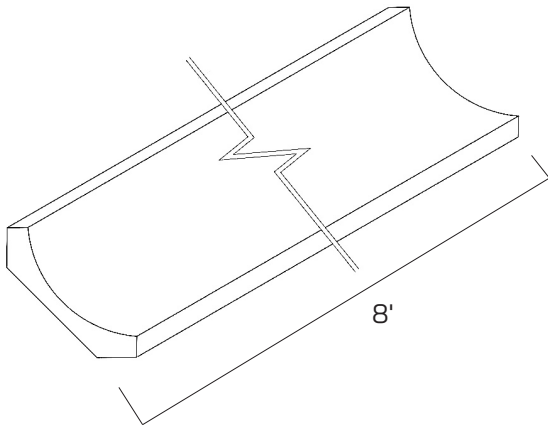
Cove Crown Molding

Available Door Styles: FMT, GRA, FRO, STE

- Solid wood
- Molding comes in a single 8' piece

COVE CM8

ADDITIONAL VIEWS



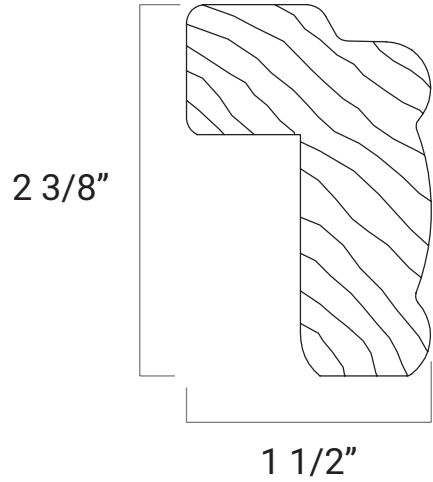
NOTES

Traditional Light Rail

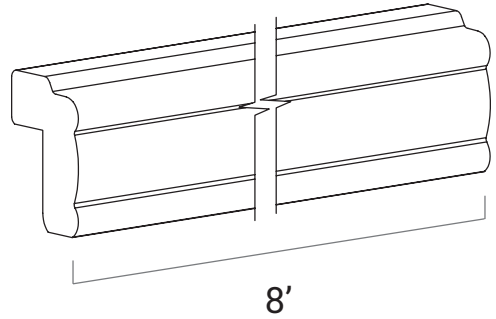
Available Door Styles: FMT, GRA, FRO, STE

TLR8

- Solid wood
- Molding comes in a single 8' piece
- Light rail is intended to be applied to the bottom of a wall cabinet



ADDITIONAL VIEWS



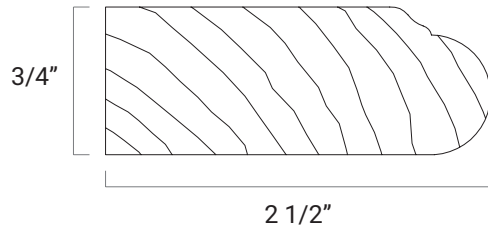
NOTES

Bull Nose Light Rail

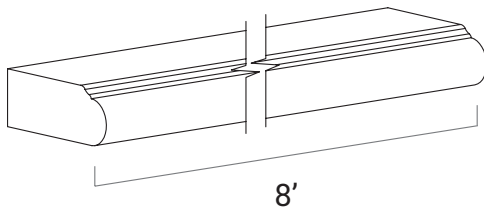
Available Door Styles: FMT, GRA, FRO, STE

- Solid wood
- Molding comes in a single 8' piece
- Light rail is intended to be applied to the bottom of a wall cabinet

BLR8



ADDITIONAL VIEWS



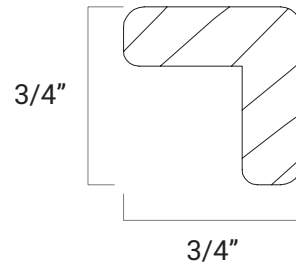
NOTES

Outside Corner Molding

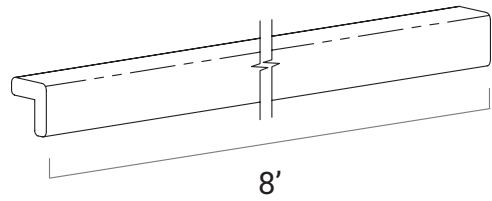
Available Door Styles: FMT, GRA, FRO, STE

OC8

- Solid wood
- Molding comes in a single 8' piece



ADDITIONAL VIEWS



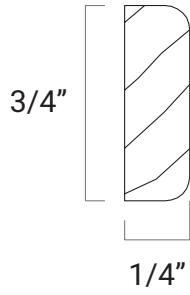
NOTES

Batten Molding

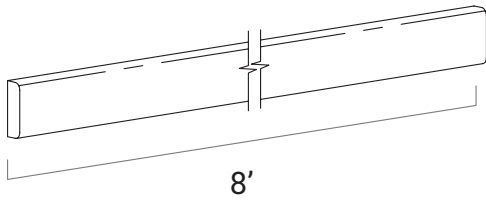
Available Door Styles: FMT, GRA, FRO, STE

- Solid wood
- Molding comes in a single 8' piece

BM8



ADDITIONAL VIEWS



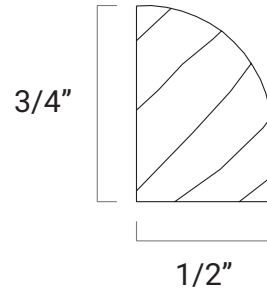
NOTES

Shoe Molding

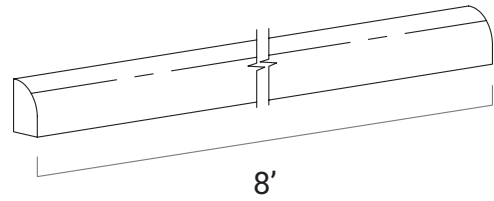
Available Door Styles: FMT, GRA, FRO, STE

SHM8

- Solid wood
- Molding comes in a single 8' piece



ADDITIONAL VIEWS



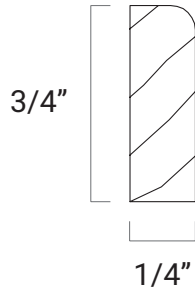
NOTES

Scribe Molding

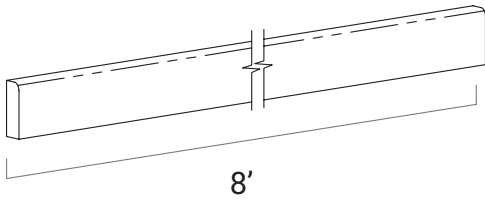
Available Door Styles: FMT, GRA, FRO, STE

- Solid wood
- Molding comes in a single 8' piece

SCM8



ADDITIONAL VIEWS



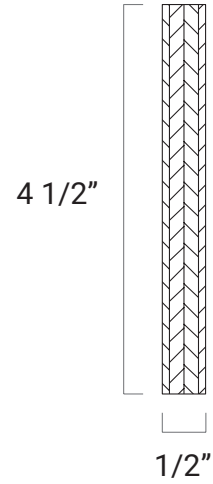
NOTES

Toe Kick

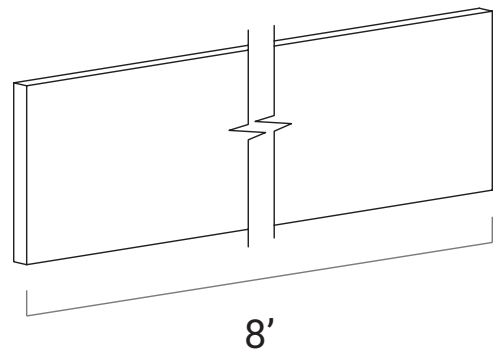
Available Door Styles: FMT, GRA, FRO, STE

TK8

- 1/2" thick veneered plywood
- Molding comes in a single 8' piece



ADDITIONAL VIEWS



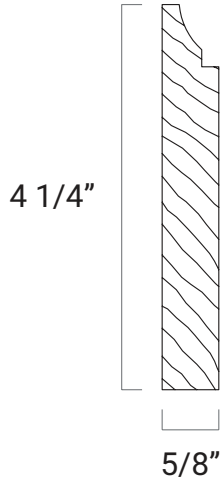
NOTES

Universal Scoop Trim

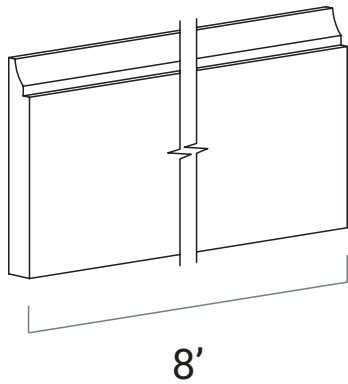
Available Door Styles: FMT, GRA, FRO, STE

- 5/8" thick solid wood
- Molding comes in a single 8' piece
- Designed for use as a decorative baseboard, starter molding for stacking crown to the ceiling, or even a valance

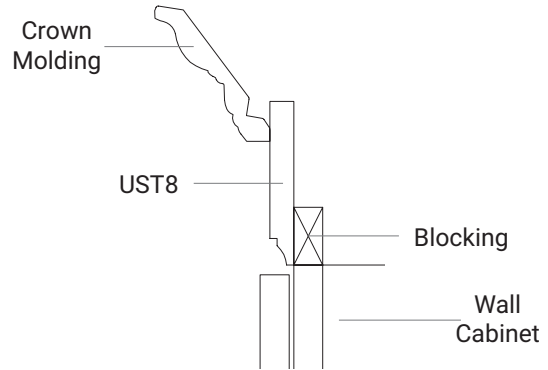
UST8



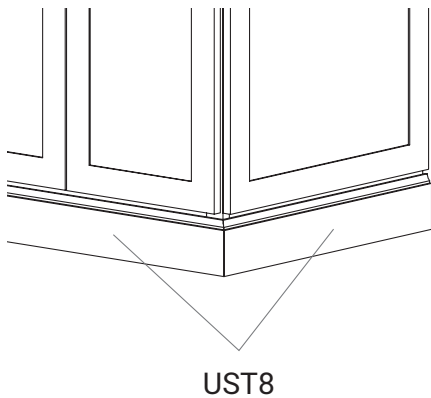
ADDITIONAL VIEWS



CROWN INSTALL DIAGRAM



BASE INSTALL DIAGRAM



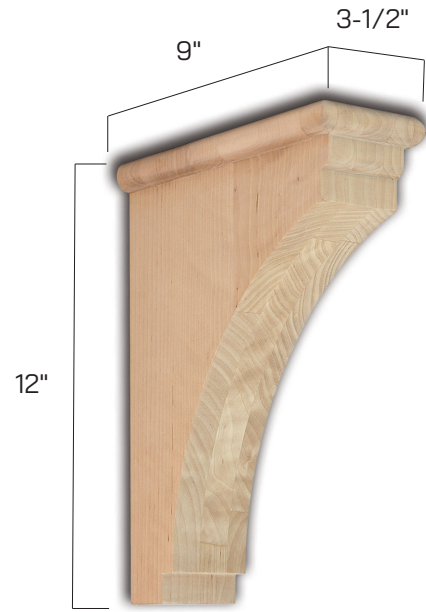
NOTES

Classic Corbel

Available Door Styles: FMT, GRA, FRO, STE

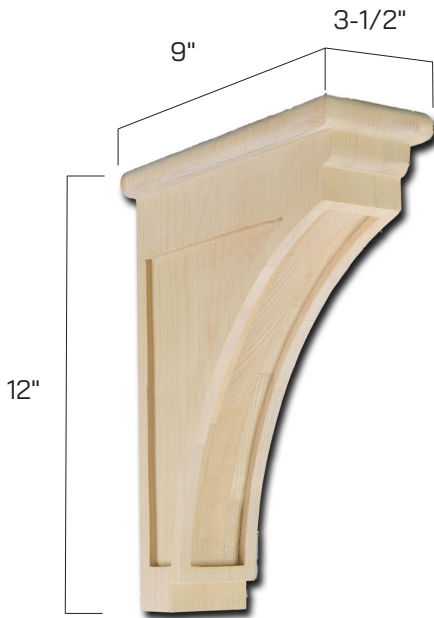
COR-CLASSIC

- Solid wood
- Installation bracket included
- Pre-finished to specified color



NOTES

Choice Select®



Shaker Corbel

Available Door Styles: FMT, GRA, FRO, STE

- Solid wood
- Installation bracket included
- Pre-finished to specified color

COR-SHAKER

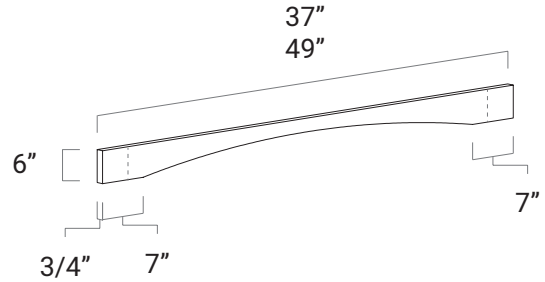
NOTES

Arched Valance

Available Door Styles: FMT, GRA, FRO, STE

VAA37
VAA49

- 3/4" thick solid wood
- Can be cut down on either side

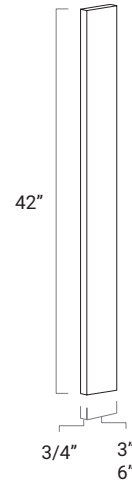


Wall Filler

Available Door Styles: FMT, GRA, FRO, STE

WF342
WF642

- 3/4" thick solid wood
- Finished front and long sides
- Cut width/height to fit as necessary

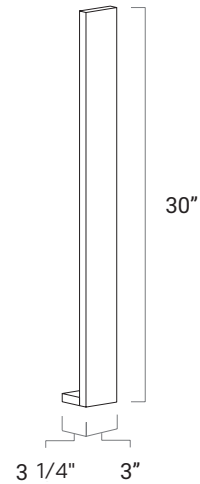


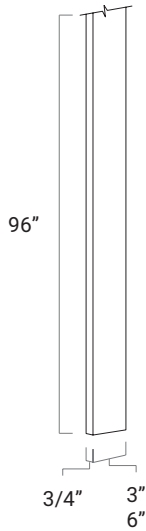
Base Filler

Available Door Styles: FMT, GRA, FRO, STE

BF3

- 3/4" thick solid wood
- Finished front, back, and sides
- Cut width/height to fit as necessary



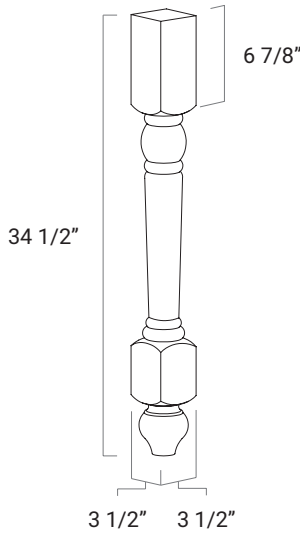


Tall Filler

Available Door Styles: FMT, GRA, FRO, STE

- 3/4" thick solid wood
- Finished front and sides
- Cut width/height to fit as necessary

TF396
TF696

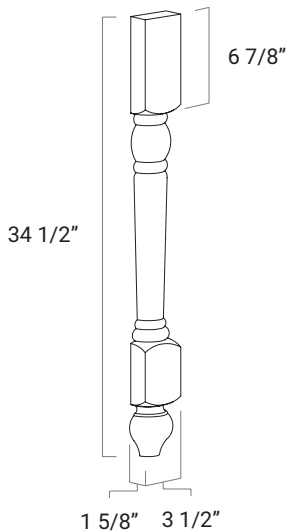


Decorative Leg

Available Door Styles: FMT, GRA, FRO, STE

- Solid wood
- Trimmable up to 6" from the top

DLS3.5



Split Decorative Leg

Available Door Styles: FMT, GRA, FRO, STE

- Solid wood
- Trimmable up to 6" from the top
- Can be applied to a TF696 or WF642 cut to a minimum of 3 1/2" wide
- When installing on a 3 1/2" wide filler, be sure to adjust hinges on adjacent doors to eliminate possible binding on the decorative leg

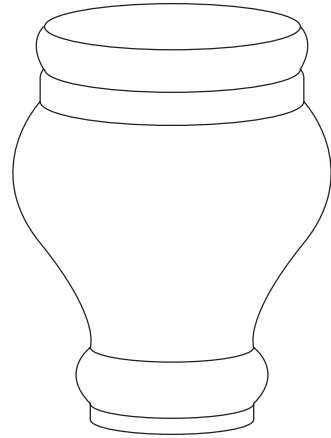
DLS3.5

Round Bun Foot

Available Door Styles: FMT, GRA, FRO, STE

BFT-R

- Solid wood
- 3 1/2" wide
- 4 1/2" high

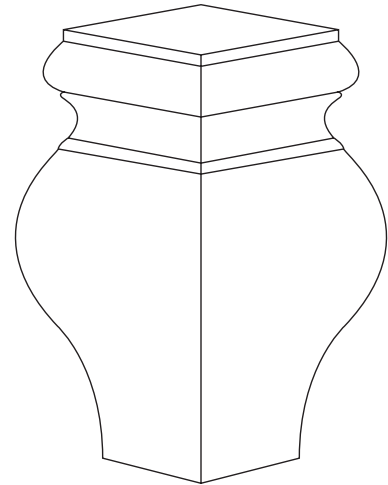


Square Bun Foot

Available Door Styles: FMT, GRA, FRO, STE

BFT-S

- Solid wood
- 3 1/2" wide
- 4 1/2" high



NOTES

Choice Select®

TOUCH-UP

ORDER CODING

All touch-up order coding begins with ACC (accessory), followed by the door style order code, then by the touch-up order code:



ADDITIONAL TOUCH-UP INFORMATION

Paint Aerosols

- Lower solids, opaque, pre-cat lacquer
- Can be used to touch-up worn areas or can be applied as the final topcoat for onsite finishing
- Use at least three coats when applying to raw wood
- Clear topcoat is not necessary

Paint Quarts

- Higher solids, opaque, pre-cat lacquer
- To be used in a finish shop to spray miscellaneous pieces (crown, trim, re-finish a door, etc.)
- Clear topcoat is not necessary

Stain Quarts

- Production wipe stain
- Use like a normal wipe stain
- Dry 20-30 minutes before applying toners or topcoats
- Clear topcoat must be applied over the stain for protection

Clear Aerosols

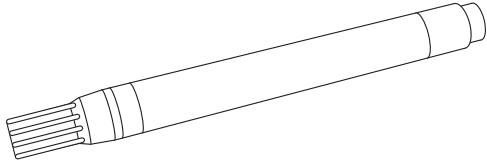
- Lower solids, clear, pre-cat lacquer
- To be used over all stained products and over anything that has been glazed

Touch-Up Marker

Available Door Styles: FMT, GRA, FRO, STE

- Felt-tipped marker filled with stain or paint
- For small scuffs or scratches

MARKER

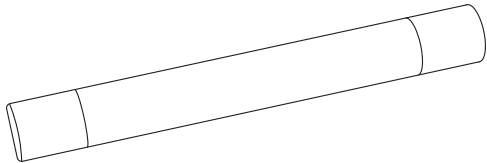


Wax Fill Stick

Available Door Styles: FMT, GRA, FRO, STE

- For small punctures and deep scratches

FILL STICK

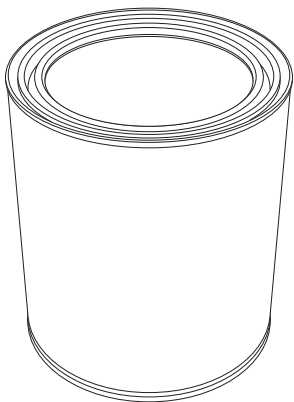


Quart of Paint

Available Door Styles: FMT, FRO, STE

- 1 quart of paint
- Stained door styles require a clear topcoat (order ACC CLEAR-AEROSOL separately)

PAINT

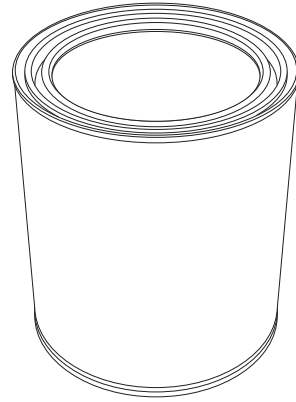


Quart of Stain

Available Door Styles: GRA

STAIN

- 1 quart of paint
- Stained door styles require a clear topcoat (order ACC CLEAR-AEROSOL separately)

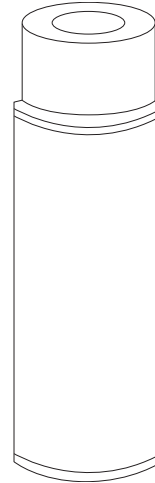


Can of Aerosol Paint

Available Door Styles: FMT, FRO, STE

PAINT AEROSOL

- Pre-catalyzed

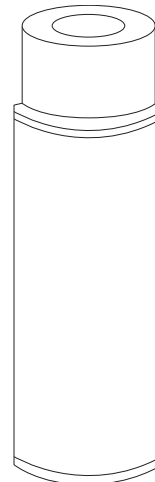


Can of Aerosol Clear Coat

Available Door Styles: FMT, GRA, FRO, STE

CLEAR AEROSOL



- No door style order code necessary

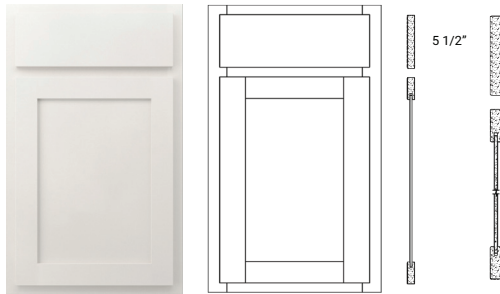


Choice Essentials®

DOOR STYLES

DOOR CONSTRUCTION KEY

-  Indicates Solid Wood
-  Indicates Veneered MDF



SUMMIT

- Order code: SUM
- Partial overlay
- White painted finish
- Slab drawer front
- Mortis and tenon door
- MDF stile and rail
- MDF center panel



BRENTWOOD

- Order code: BRE
- Partial overlay
- Espresso stained finish
- Slab drawer front
- Mortis and tenon door
- Solid wood stile and rail
- Veneered MDF center panel



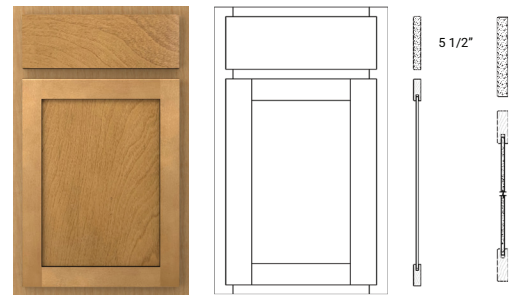
LEXINGTON

- Order code: LEX
- Partial overlay
- Brown stained finish
- Slab drawer front
- Mortis and tenon door
- Solid wood stile and rail
- Veneered MDF center panel



SLATE

- Order code: SLA
- Partial overlay
- Grey stained finish
- Slab drawer front
- Mortis and tenon door
- Solid wood stile and rail
- Veneered MDF center panel



LATTE

- Order code: LAT
- Partial overlay
- Natural stained finish
- Slab drawer front
- Mortis and tenon door
- Solid wood stile and rail
- Veneered MDF center panel

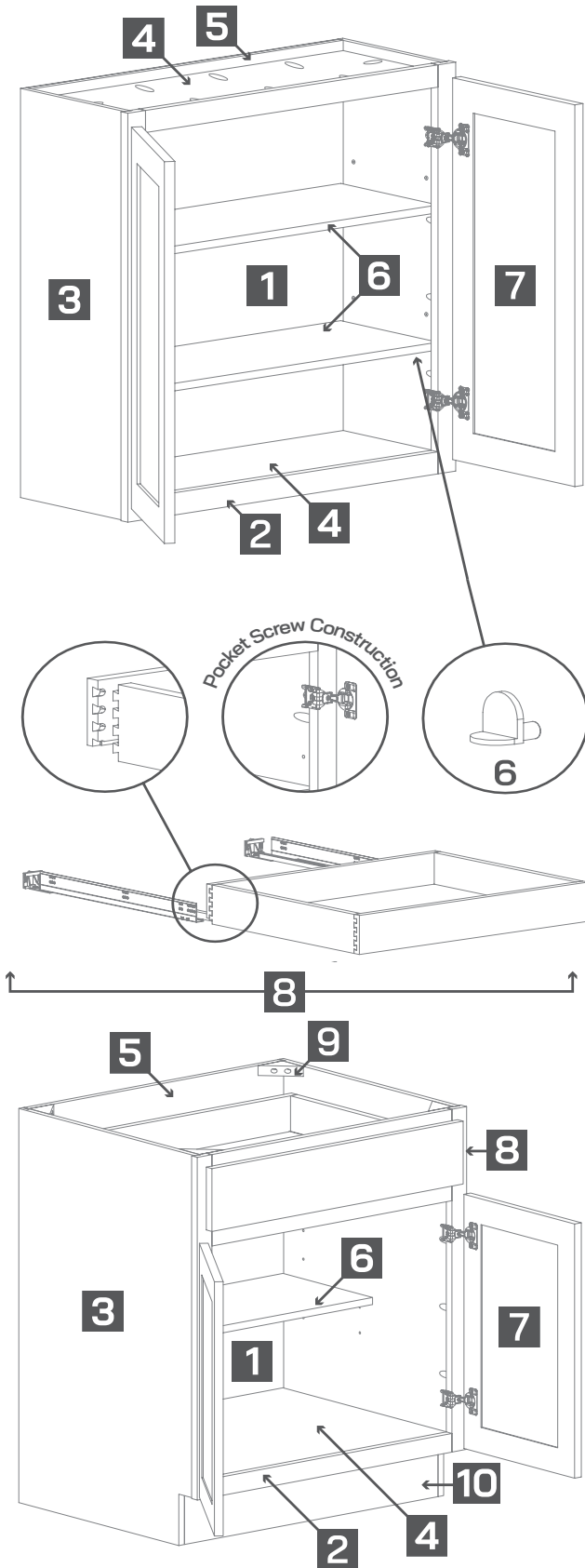
1-YEAR LIMITED WARRANTY:



EPA COMPLIANCE:



Construction



- 1** Natural hardwood interior
- 2** 3/4" solid hardwood face frame
- 3** 1/2" veneered plywood end panels with matching exterior finish
- 4** 1/2" veneered plywood captured floor and ceiling panels with natural finish
- 5** 5/8" framed plywood back
- 6** 3/4" veneered plywood half depth, adjustable shelving with metal shelf clips
- 7** Partial overlay stile and rail with veneered or painted MDF center panel and 6-way adjustable, concealed soft-close hinges *
- 8** Partial overlay veneered or painted MDF slab drawer front with 3/8" veneered plywood drawer bottom, and 7/8" extension undermount soft-close drawer glides *
- 9** 3/4" solid wood corner braces
- 10** 4-1/2" high and 1/2" thick unfinished veneered plywood toe kick

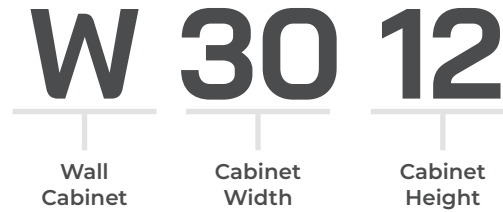
() Lexington and Brentwood offered with plywood dovetail drawer boxes and standard close glides and hinges*

Choice Essentials[®]

WALL CABINETS

CABINET NOMENCLATURE

The letter or letters always represent the name of the cabinet, the first set of numbers always represent the width of the cabinet, and the second set of numbers always represent the height of the cabinet:



ORDER CODING

All cabinet order coding begins with the door style order code followed by the cabinet order code:



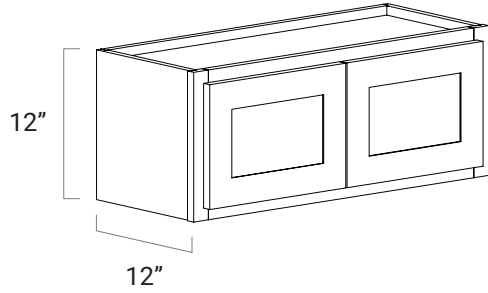
SPECIAL NOTES

- Wall cabinetry is 12" deep unless otherwise noted

Wall Bridge Double Door 12" High

Available Door Styles: SUM, BRE, LEX, SLA, LAT

- No shelf

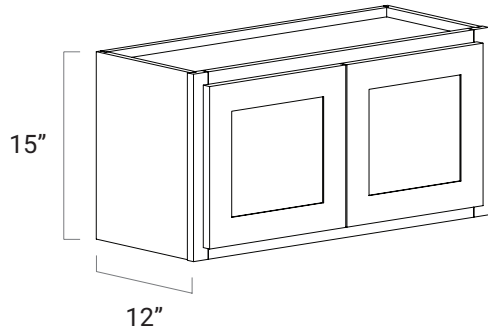


W3012
W3312
W3612

Wall Bridge Double Door 15" High

Available Door Styles: SUM, BRE, LEX, SLA, LAT

- No shelf
- (*) Not available in BRE, LEX

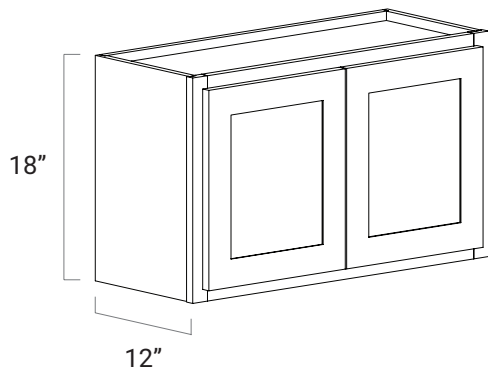


W2415*
W3015
W3315
W3615

Wall Bridge Double Door 18" High

Available Door Styles: SUM, BRE, LEX, SLA, LAT

- No shelf
- (*) Single door and not available in LAT, LEX



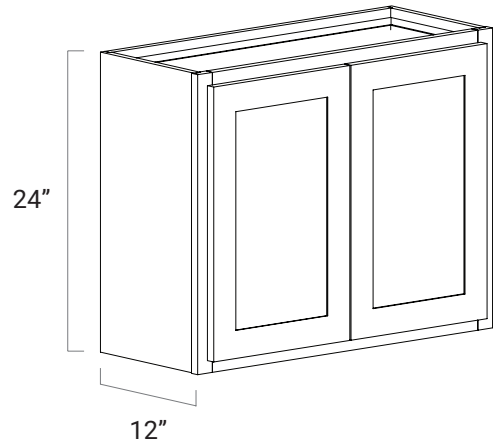
W2118*
W2418
W3018
W3318
W3618

Wall Bridge Double Door 24" High

Available Door Styles: SUM, BRE, LEX, SLA, LAT

W2424
W3024
W3324
W3624

- One adjustable shelf

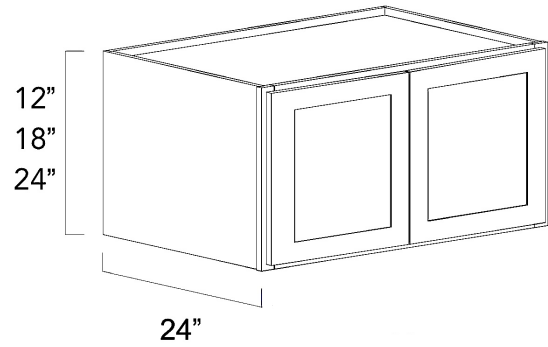


Wall Bridge Refrigerator Double Door 24" Deep

Available Door Styles: SUM, SLA, LAT

W331224
W331824
W332424*
W361224
W361524
W361824
W362424*

- No shelf
- Intended for installation between a combination of cabinets, refrigerator panels, or two walls for support
- (*) one adjustable shelf

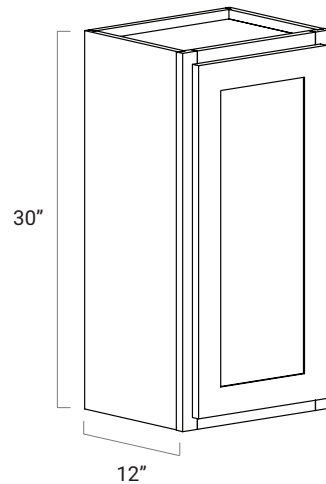


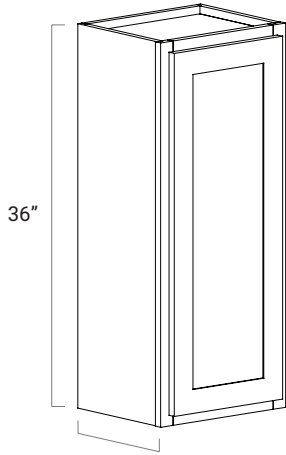
Wall Single Door 30" High

Available Door Styles: SUM, BRE, LEX, SLA, LAT

W0930
W1230
W1530
W1830
W2130

- Two adjustable shelves



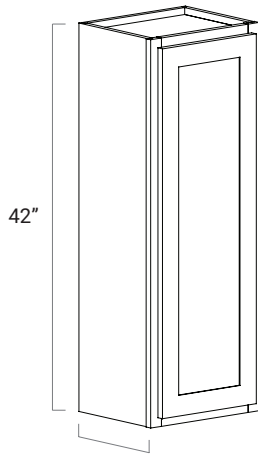


Wall Single Door 36" High

Available Door Styles: SUM, BRE, LEX , SLA, LAT

- Two adjustable shelves

W0936
W1236
W1536
W1836
W2136

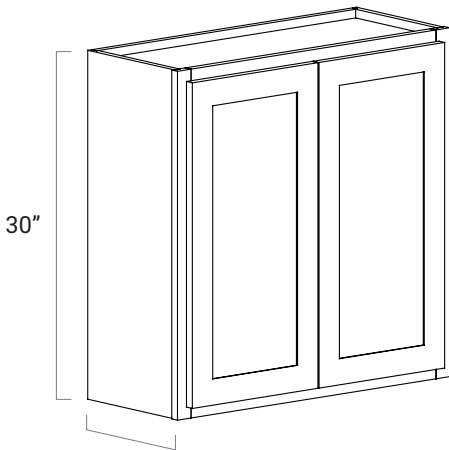


Wall Single Door 42" High

Available Door Styles: SUM, BRE, LEX , SLA, LAT

- Three adjustable shelves

W0942
W1242
W1542
W1842
W2142



Wall Double Door 30" High

Available Door Styles: SUM, BRE, LEX , SLA, LAT

- Two adjustable shelves

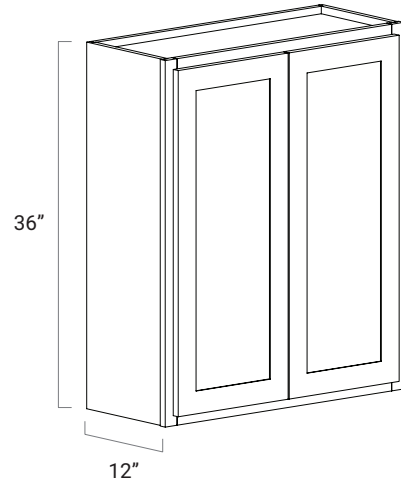
W2430
W2730
W3030
W3330
W3630

Wall Double Door 36" High

Available Door Styles: SUM, BRE, LEX , SLA, LAT

W2436
W2736
W3036
W3336
W3636

- Two adjustable shelves

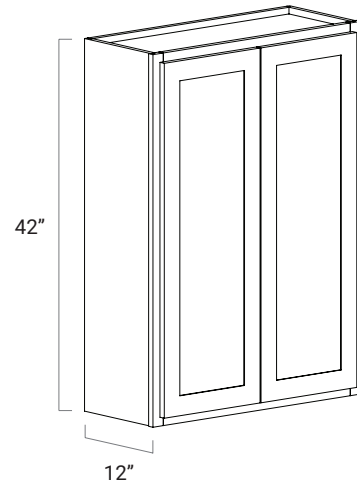


Wall Double Door 42" High

Available Door Styles: SUM, BRE, LEX , SLA, LAT

W2442
W2742
W3042
W3342
W3642

- Three adjustable shelves



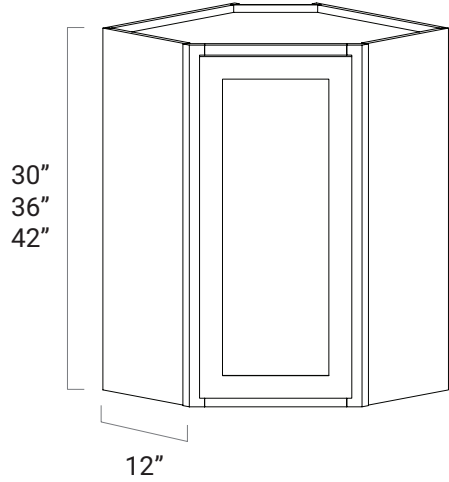
NOTES

Wall Diagonal Corner

Available Door Styles: SUM, BRE, LEX, SLA, LAT

WDC2430
WDC2436
WDC2442*

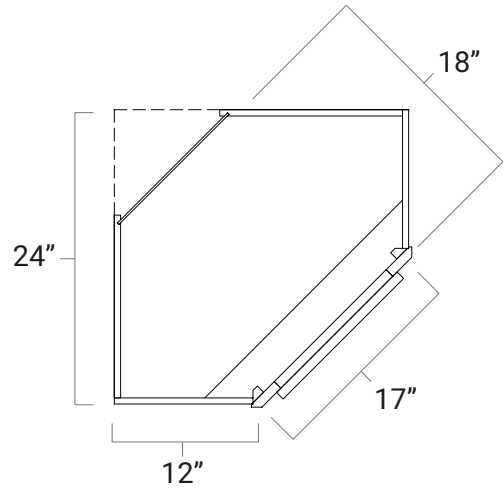
- Two adjustable shelves
- 24" wide
- (*) WDC2442 has three adjustable shelves



NOTES

ADDITIONAL VIEWS

TOP VIEW

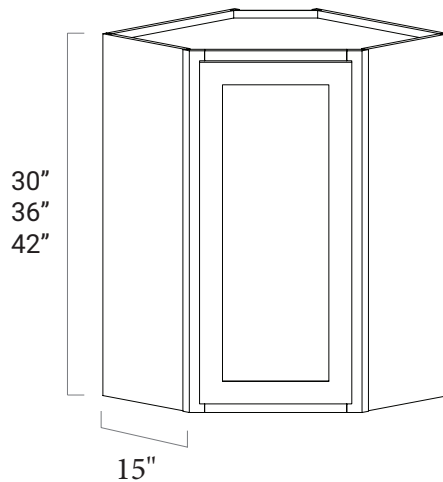


Wall Diagonal Corner

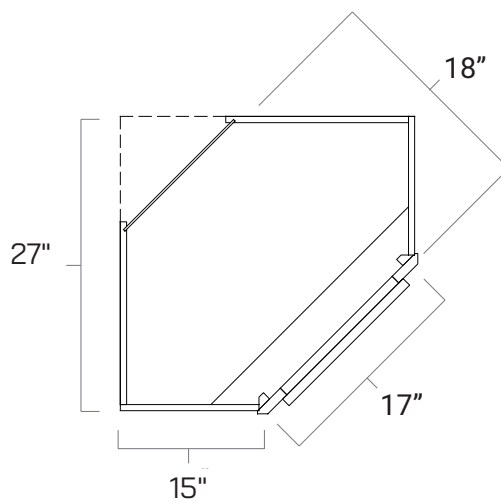
Available Door Styles: SUM, SLA, LAT

WDC2730
WDC2736
WDC2742

- Two adjustable shelves
- 24" wide
- To achieve a 27" wide cabinet or to "bump" the cabinet out, 3" of blocking must be added behind the cabinet during cabinet install and skins must be applied in the field to conceal the blocking



ADDITIONAL VIEWS
TOP VIEW



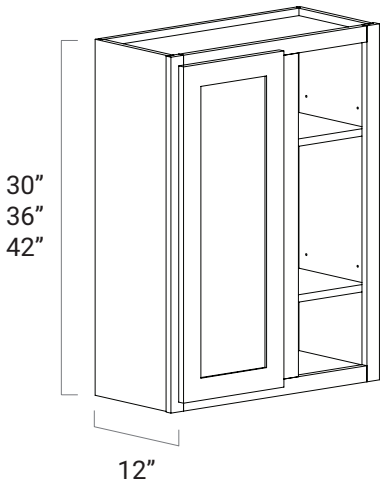
NOTES

Wall Single Door Blind Corner

Available Door Styles: SUM, BRE, LEX, SLA, LAT

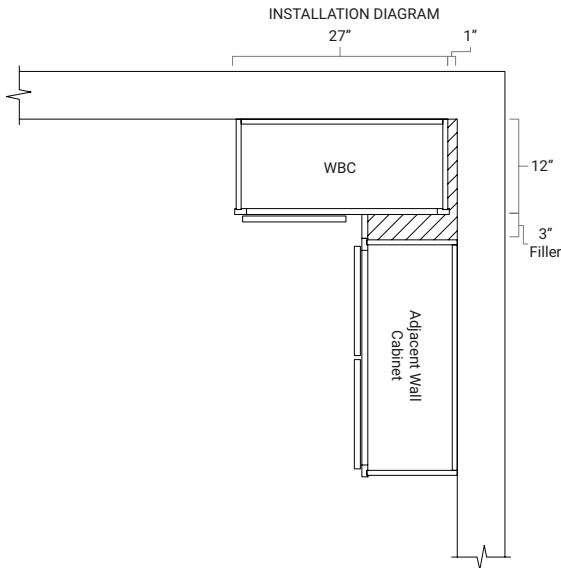
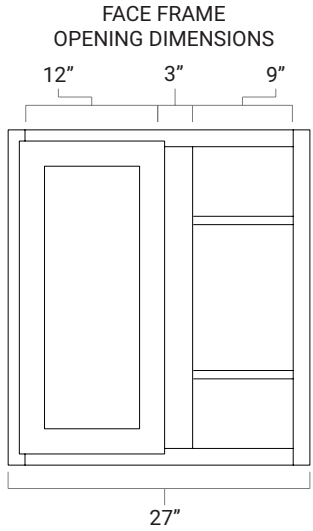
WBC2830
WBC2836
WBC2842*

- Two adjustable shelves
- Actual cabinet width is 27"
- Must be pulled 1" from adjacent wall for a total of 28" wide
- 3" wall filler included
- Cabinet can be flipped for left or right application
- Same size door and opening as W1530, W1536, and W1542
- (*) WBC2842 has three adjustable shelves



NOTES

ADDITIONAL VIEWS

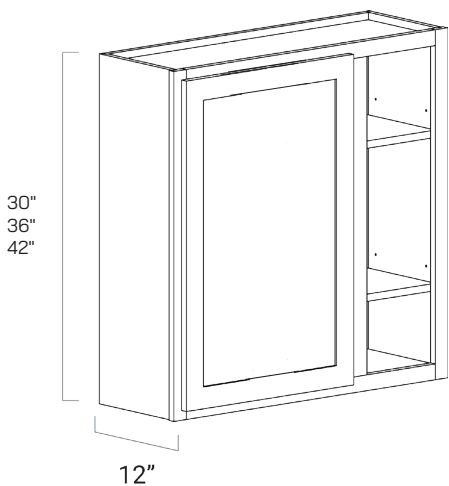


Wall Single Door Blind Corner

Available Door Styles: SUM, BRE, SLA, LAT, LEX

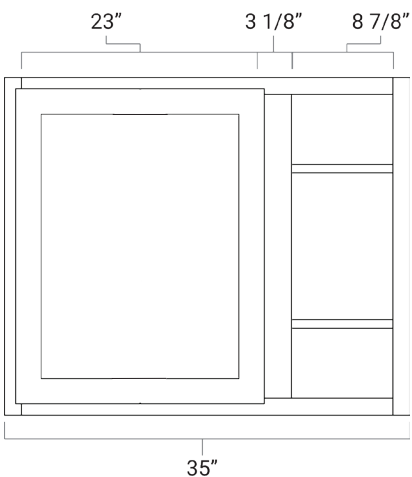
- Two adjustable shelves
- Actual cabinet width is 35"
- Must be pulled 1" from adjacent wall for a total of 36" wide
- 3" wall filler included
- Cabinet can be flipped for left or right application
- Same size doors and opening as W2430
- (*) Not available in BRE, LEX
- (**) Three adjustable shelves

WBC3630
WBC3636*
WBC3642**



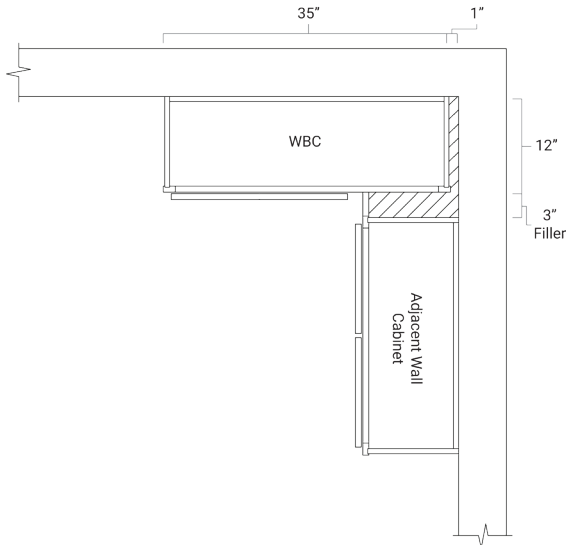
ADDITIONAL VIEWS

FACE FRAME
OPENING DIMENSIONS



NOTES

INSTALLATION DIAGRAM

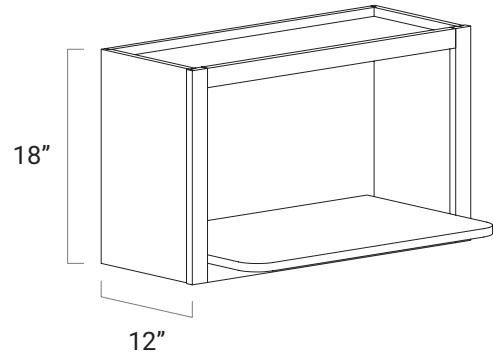


Wall Microwave

Available Door Styles: SUM, BRE, LEX, SLA, LAT

MC3018

- Intended for “countertop” style microwave
- Finished interior
- Finished shelf is 5/8” thick and 18” deep
- Intended for installation between two cabinets or a cabinet and a wall



INTERIOR DIMENSIONS

SKU	WIDTH	HEIGHT	DEPTH
MC3018	28 1/4"	14 1/4"	10 5/8"

FRAME OPENING WITH SHELF DIMENSIONS

SKU	WIDTH	HEIGHT	DEPTH
MC3018	26 3/4"	14"	17 1/2"

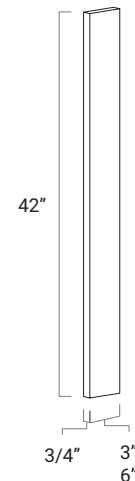
Wall Filler

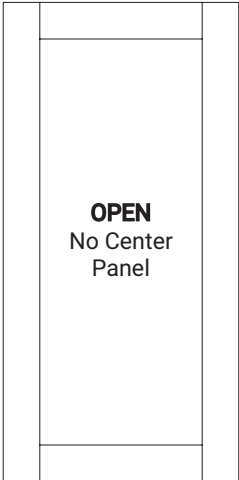
Available Door Styles: SUM, BRE, LEX, SLA, LAT

WF342

WF642

- 3/4” thick solid wood
- Finished front and long sides
- Cut width/height to fit as necessary





Cut Door for Glass

Available Door Styles: SUM, BRE, LEX, SLA, LAT

- Glass not included
- To order a door cut for glass, you would start with the door style order code, followed by the cabinet SKU, and then "-CG" (example: **SUM W1536-CG**)
- Only available for wall and tall cabinetry doors

-CG

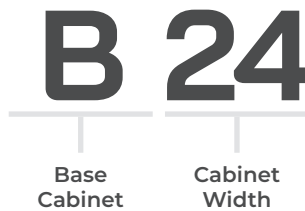
NOTES

Choice Essentials®

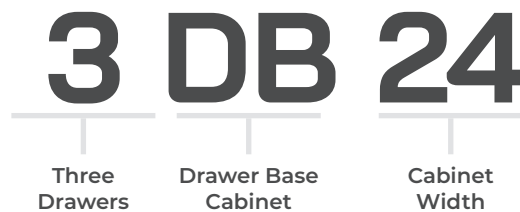
BASE CABINETS

CABINET NOMENCLATURE

The letter or letters always represent the name of the cabinet and the set of numbers always represent the width of the cabinet:



Whenever a base cabinet has all drawers and no doors, also known as a drawer base, the cabinet code will start with a number. That number represents the amount of drawers the cabinet has:



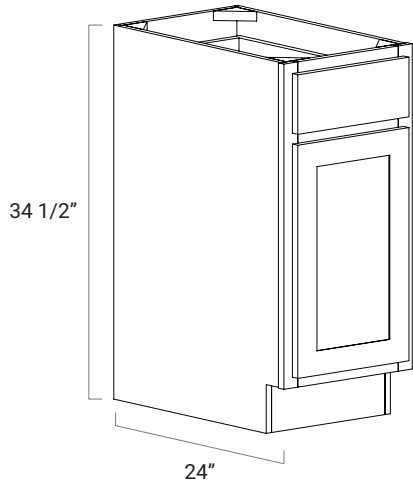
ORDER CODING

All cabinet order coding begins with the door style order code followed by the cabinet order code:



SPECIAL NOTES

- Base cabinetry is 24" deep unless otherwise noted
- Unless specified on the order, single door base cabinetry is hinged on the right side of the face frame and can be flipped in the field as necessary.

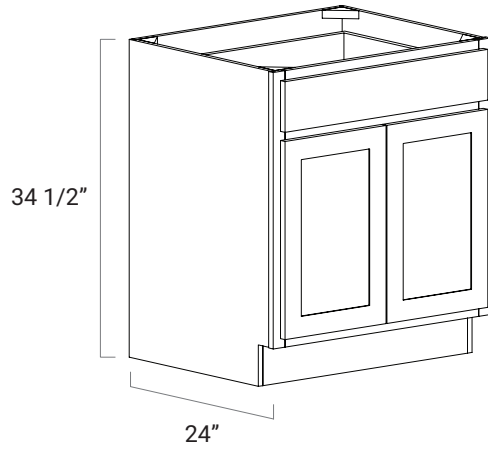


Base Single Door

Available Door Styles: SUM, BRE, LEX, SLA, LAT

- One adjustable shelf
- (*) Not available in BRE, LEX

B09*
B12
B15
B18
B21

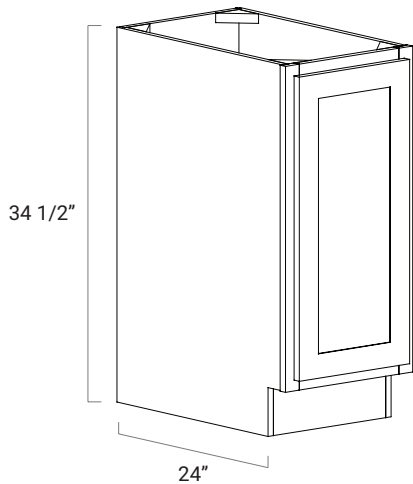


Base Double Door

Available Door Styles: SUM, BRE, LEX, SLA, LAT

- One adjustable shelf

B24
B27
B30
B33
B36



Base Full Height

Available Door Styles: SUM, BRE, LEX, SLA, LAT

- One adjustable shelf

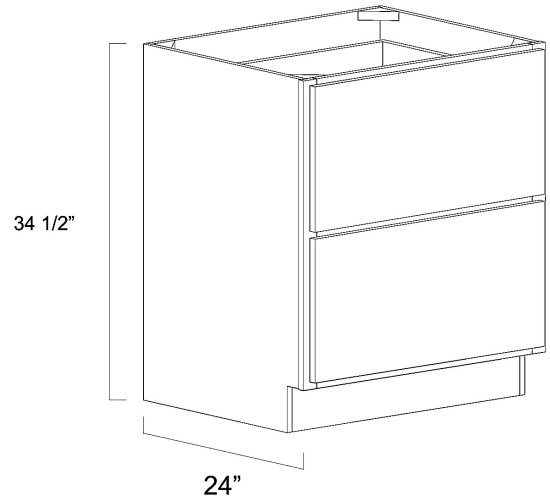
BFH09

Two Drawer Base

Available Door Styles: SUM, SLA, LAT

2DB30
2DB36

- Two deep drawers

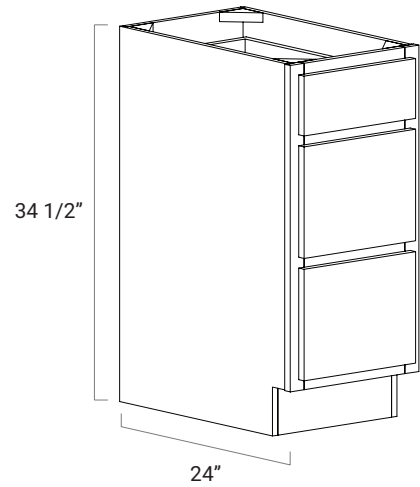


Three Drawer Base

Available Door Styles: SUM, BRE, LEX, SLA, LAT

3DB12
3DB15
3DB18
3DB21
3DB24
3DB30*
3DB36*

- Top drawer aligns with standard base cabinetry
- Two deep drawers
- (*) Not available in BRE, LEX

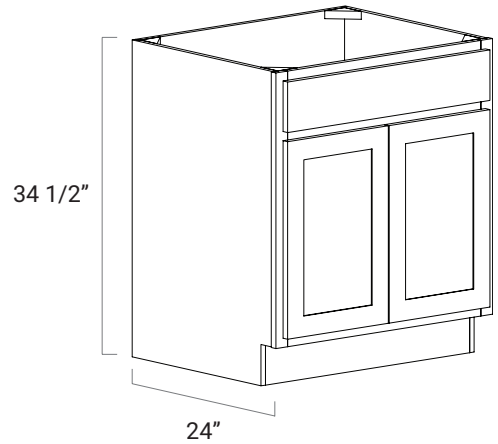


Sink Base

Available Door Styles: SUM, BRE, LEX, SLA, LAT

SB30
SB33
SB36

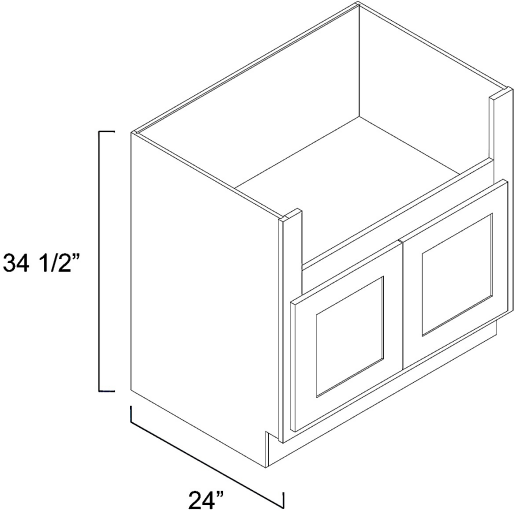
- False drawer front



Farmhouse Sink Base

Available Door Styles: SUM, SLA, LAT

FSB36



- 36" wide
- Accommodates most 30-36" wide farmhouse style sinks
- Face frame can be trimmed in the field per sink specifications
- 30" wide opening that can be cut to accommodate a 36" wide opening
- 8" high opening that can be cut to accommodate a 11" high opening
- Same size doors as W3618

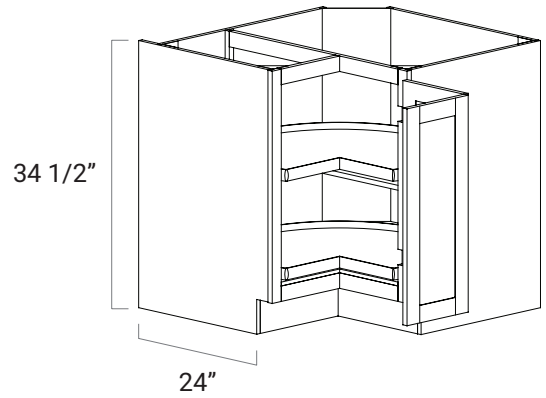
NOTES

Lazy Susan

Available Door Styles: SUM, BRE, LEX, SLA, LAT

LS33-R*
LS33-L*
LS36-R
LS36-L*

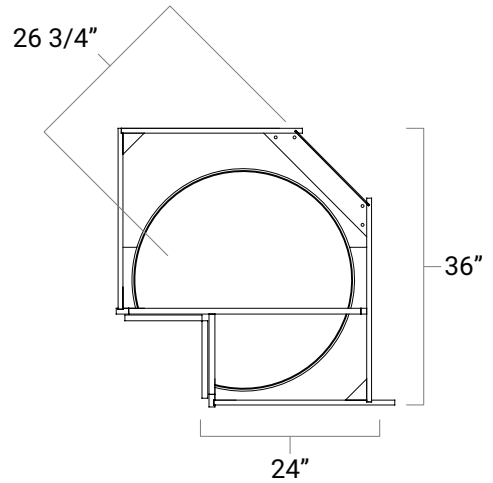
- Full height, bi-folding doors
- Two rotating pie-cut trays
- Trays are made of wood veneered plywood with a solid wood perimeter lip
- Undermount bearings allow for independent rotation and full access to trays
- Soft close not available
- Right hinged
- Magnetic door catch attached
- (*) Not available in BRE, LEX



NOTES

ADDITIONAL VIEWS

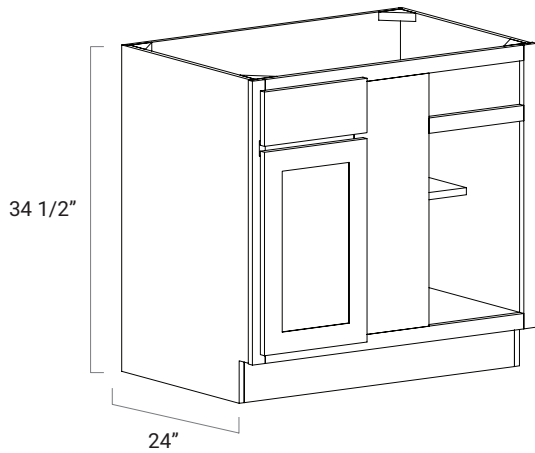
TOP VIEW



Base Blind Corner

Available Door Styles: SUM, BRE, LEX, SLA, LAT

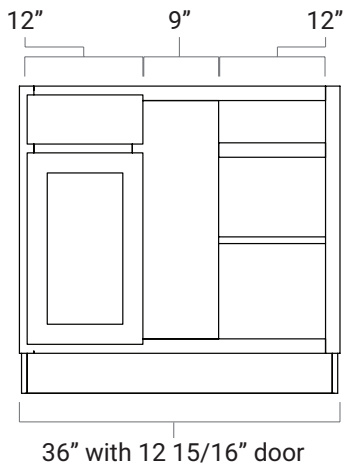
BBC43-46



- One adjustable shelf
- Cabinet is 36" wide and must be pulled a minimum of 7" or a maximum of 10" from adjacent wall
- Door and drawer can be flipped for left or right application during assembly
- 3" filler included
- Hinges are located on the center stile of the face frame and can be flipped as necessary
- Same size door, drawer, and opening as B15

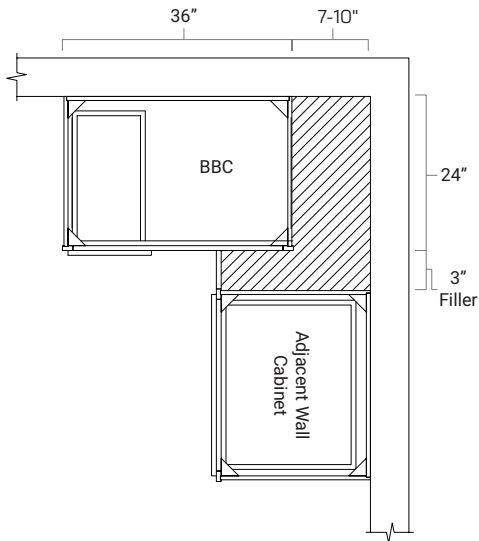
ADDITIONAL VIEWS

FACE FRAME OPENING DIMENSIONS



NOTES

INSTALLATION DIAGRAM



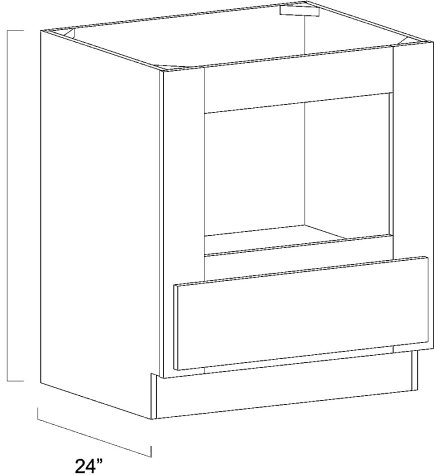
Microwave Base

Available Door Styles: SUM, SLA, LAT

MWB30

- 30" wide
- 8" high drawer
- Finished interior
- 14" high opening that can be cut to accommodate a 18" high opening*
- 21" wide opening that can be cut to accommodate a 27" wide opening*
- (*) 4 1/2" pocket frame stiles can be modified as necessary

34 1/2"



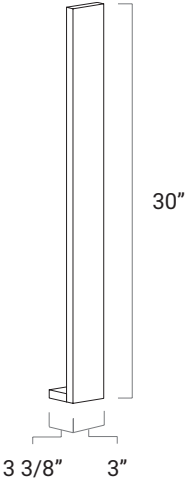
NOTES

Base Filler

Available Door Styles: SUM, BRE, LEX, SLA, LAT

- 3/4" thick solid wood
- Finished front, back, and sides
- Cut width/height to fit as necessary

BF3



NOTES

Choice Essentials®

TALL CABINETS

CABINET NOMENCLATURE

The letter or letters always represent the name of the cabinet, the first set of numbers always represent the width of the cabinet, and the second set of numbers always represent the height of the cabinet:

UP 18 84

Utility Pantry Cabinet Cabinet Width Cabinet Height

ORDER CODING

All cabinet order coding begins with the door style order code followed by the cabinet order code:

SUM UP1884

Door Style Order Code Cabinet Order Code

SPECIAL NOTES

- Tall cabinetry is 24" deep unless otherwise noted

Utility Pantry Single Door

Available Door Styles: SUM, BRE, LEX, SLA, LAT

- Lower door has center rail, creating a two-door panel door design
- Accepts 18" rollout trays (ACC ROT18 ordered separately)
- Magnetic door catch attached

UP1884
UP1890
UP1896



ADDITIONAL INFORMATION

SKU	UPPER DOOR HEIGHT	# OF UPPER SHELVES	# OF LOWER SHELVES
UP1884	30"	ONE	TWO
UP1890	36"	ONE	TWO
UP1896	42"	TWO	TWO

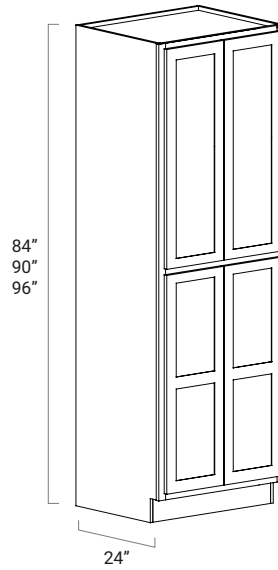
NOTES

Utility Pantry Double Door

Available Door Styles: SUM, BRE, LEX, SLA, LAT

UP2484
UP2490
UP2496

- Lower door has center rail, creating a two-door panel door design
- 24" wide pantries accept 24" rollout trays (ACC ROT24 ordered separately)
- Magnetic door catch attached



ADDITIONAL INFORMATION

SKU	UPPER DOOR HEIGHT	# OF UPPER SHELVES	# OF LOWER SHELVES
UP2484	30"	ONE	TWO
UP2490	36"	ONE	TWO
UP2496	42"	TWO	TWO

NOTES

Oven Cabinet

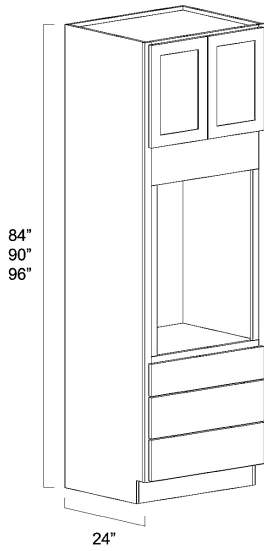
Available Door Styles: SUM, SLA, LAT

- No shelf in top section
- Three drawers in lower section
- Removable drawers and trimmable frame allow for larger appliances

OV3384

OV3390

OV3396



FRAME OPENING (MINIMUM) DIMENSIONS

SKU	WIDTH	HEIGHT	DEPTH
OV3384	27"	29 1/4"	22 5/8"
OV3390	27"	29 1/4"	22 5/8"
OV3396	27"	29 1/4"	22 5/8"

FRAME OPENING (MAXIMUM) DIMENSIONS

SKU	WIDTH	HEIGHT	DEPTH
OV3384	31 1/4"	66"	23 3/8"
OV3390	31 1/4"	66"	23 3/8"
OV3396	31 1/4"	66"	23 3/8"

ADDITIONAL INFORMATION

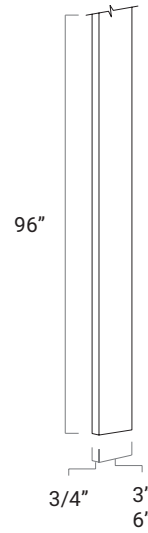
SKU	UPPER DOOR HEIGHT
OV3384	10"
OV3390	16"
OV3396	22"

Tall Filler

Available Door Styles: SUM, BRE, LEX, SLA, LAT

TF396
TF696

- 3/4" thick solid wood
- Finished front and sides
- Cut width/height to fit as necessary



NOTES

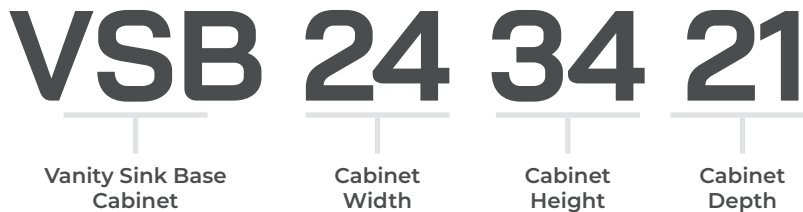
NOTES

Choice Essentials®

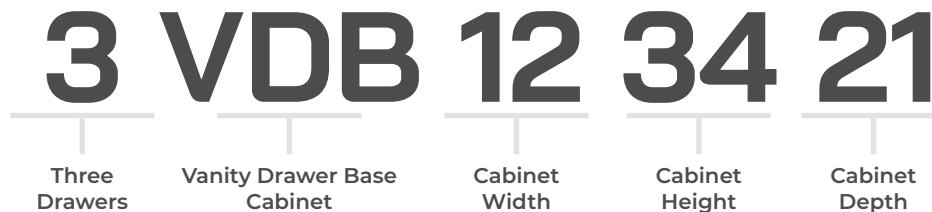
BATHROOM VANITY CABINETS

CABINET NOMENCLATURE

The letter or letters always represent the name of the cabinet, the first set of numbers always represent the width of the cabinet, the second set of numbers always represent the height of the cabinet, and the third set of numbers always represent the depth of the cabinet:



Whenever a bathroom vanity cabinet has all drawers and no doors, also known as a vanity drawer base, the cabinet code will start with a number. That number represents the amount of drawers the cabinet has:



ORDER CODING

All cabinet order coding begins with the door style order code followed by the cabinet order code:

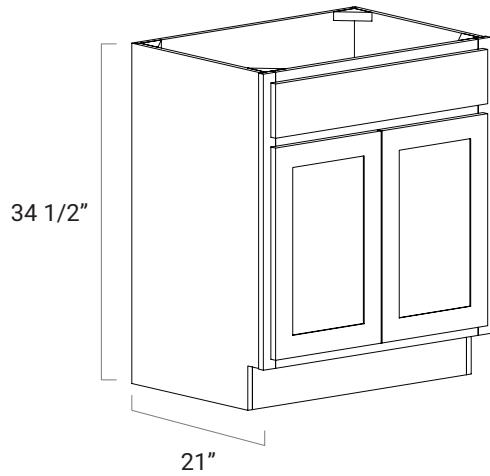


SPECIAL NOTES

- Bathroom vanity cabinetry is 34 1/2" high and 21" deep unless otherwise noted

Vanity Sink Base

Available Door Styles: SUM, BRE, LEX, SLA, LAT



- No shelf
- For single bowl installation only
- Two doors
- Top drawer is a false drawer front
- Finished toe kick included (made to width of cabinet)

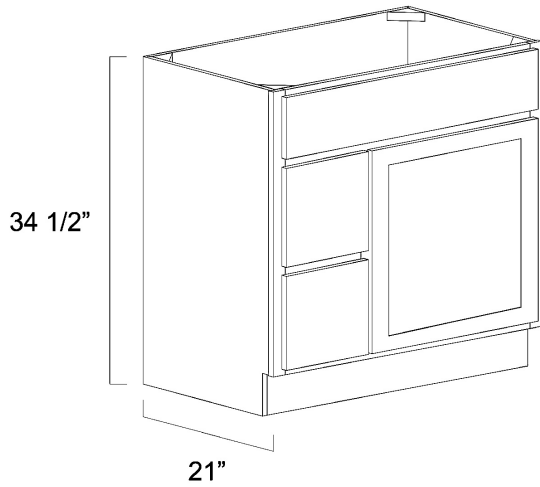
VSB243421

VSB303421

VSB363421

Vanity Combo Two Drawer / One Door

Available Door Styles: SUM, SLA, LAT



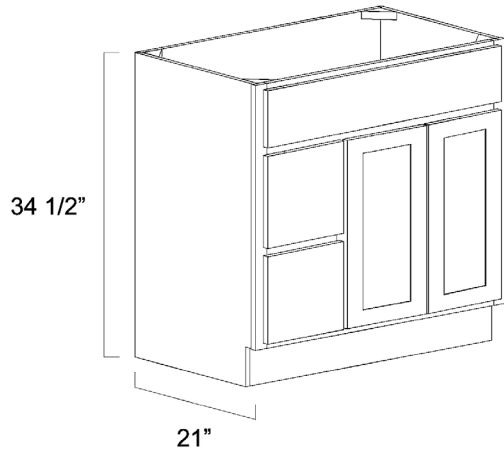
- No shelf
- For single bowl installation only
- Drawers remain a constant 12" wide
- Top drawer is a false drawer front
- Finished toe kick included (made to width of cabinet)
- (*) V303421L shown

V303421L*

V303421R

Vanity Combo Two Drawer / Two Door

Available Door Styles: SUM, SLA, LAT



- No shelf
- For single bowl installation only
- Drawers remain a constant 12" wide
- Top drawer is a false drawer front
- Finished toe kick included (made to width of cabinet)
- (*) V363421L shown

V363421L*

V363421R

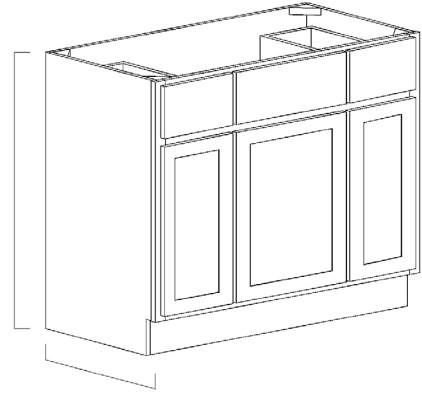
Vanity Combo Two Drawer / Three Door

Available Door Styles: SUM, SLA, LAT

V423421

- No shelf
- For single bowl installation only
- Drawers remain a constant 12" wide
- Top middle drawer is a false drawer front
- Finished toe kick included (made to width of cabinet)

34 1/2"



21"

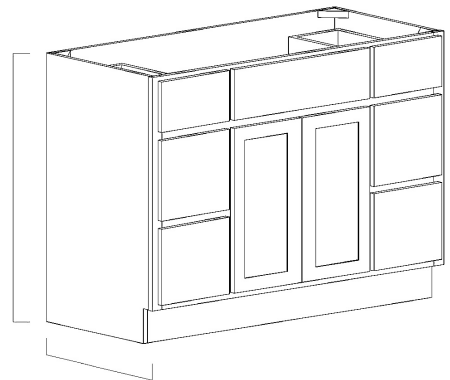
Vanity Combo Six Drawer / Two Door

Available Door Styles: SUM, SLA, LAT

V483421

- No shelf
- For single bowl installation only
- Drawers remain a constant 12" wide
- Top middle drawer is a false drawer front
- Finished toe kick included (made to width of cabinet)

34 1/2"



21"

Three Drawer Vanity Drawer Base

Available Door Styles: SUM, BRE, LEX, SLA, LAT

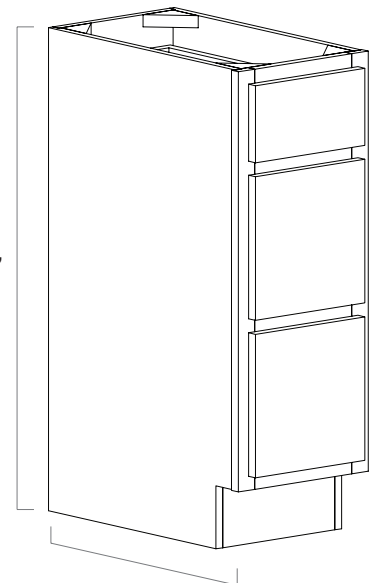
3VDB123421

3VDB153421*

3VDB183421*

- Top drawer aligns with standard base cabinetry
- Two deep drawers
- Finished toe kick included (made to width of cabinet)
- (*) Not available in BRE, LEX

34 1/2"



21"

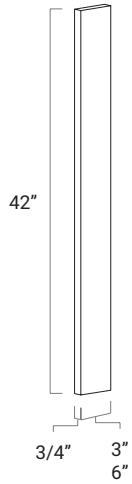
Bathroom Vanity Filler

Available Door Styles: SUM, BRE, LEX, SLA, LAT

- 3/4" thick, solid wood
- Finished front and sides
- Cut width/height to fit as necessary

WF342

WF642



NOTES

Choice Essentials®

PANELS & SKINS

ORDER CODING

All panel and skin order coding begins with the door style order code followed by the panel or skin order code:



SPECIAL NOTES

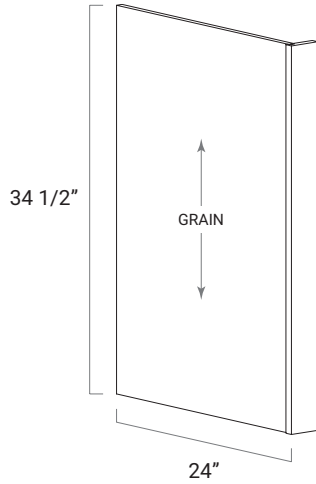
- Consider grain direction when designing
- Use BM8, OC8 and SCM8 to finish seams, end of runs, and corners where panels meet

Dishwasher Panel

Available Door Styles: SUM, BRE, LEX, SLA, LAT

- Intended for use next to a dishwasher
- 3/4" thick, veneered plywood panel, finished on outside
- Panel bored for assembly along one unfinished side
- 3" wide, 3/4" thick, solid wood return filler, finished on front and sides

DWP



ADDITIONAL VIEWS

TOP VIEW



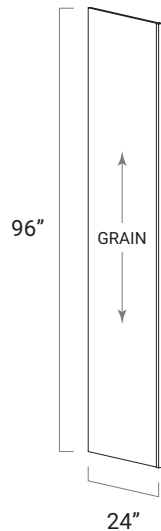
NOTES

Refrigerator Panel

Available Door Styles: SUM, BRE, LEX, , SLA, LAT

RP2496

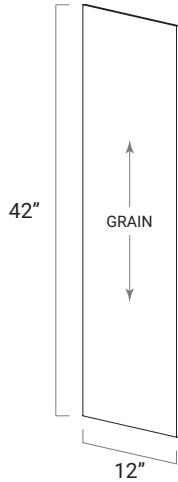
- Intended for use next to or flanking a refrigerator to conceal sides and support wall cabinetry above the appliance
- 3/4" thick, veneered plywood panel, finished on both sides
- Panel bored for assembly along one side
- 1-1/2" wide, 3/4" thick, solid wood return filler, finished on front and sides



ADDITIONAL VIEWS



NOTES

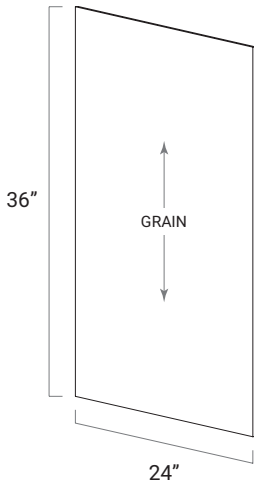


Wall Skin

Available Door Styles: SUM, BRE, LEX, SLA, LAT

- 1/4" thick
- One finished side
- Intended for skinning sides of wall cabinetry
- Cut width and height to fit
- Used to make sure side of cabinet is flush with frame
- For stained finish, construction is either veneered plywood or MDF core
- For painted finish, construction is MDF core

WSK1242

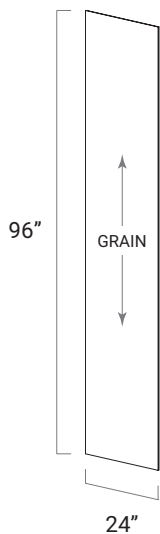


Base Skin

Available Door Styles: SUM, BRE, LEX, SLA, LAT

- 1/4" thick
- One finished side
- Intended for skinning sides of base cabinetry
- Cut width and height to fit
- Notch for toe kick in field as necessary
- Used to make sure side of cabinet is flush with frame
- For stained finish, construction is either veneered plywood or MDF core
- For painted finish, construction is MDF core

BSK



Tall Skin

Available Door Styles: SUM, BRE, LEX, SLA, LAT

- 1/4" thick
- One finished side
- Intended for skinning sides of tall cabinetry
- Cut width and height to fit
- Notch for toe kick in field as necessary
- Used to make sure side of cabinet is flush with frame
- For stained finish, construction is either veneered plywood or MDF core
- For painted finish, construction is MDF core

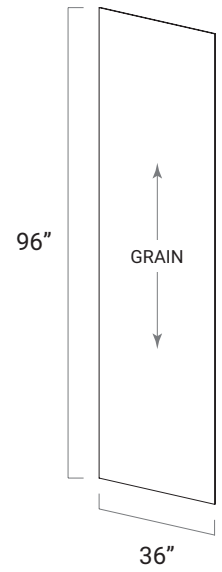
TSK2496

Back Skin

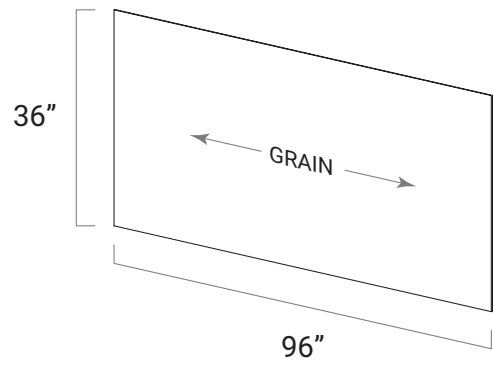
Available Door Styles: SUM, BRE, LEX, SLA, LAT

BS9636

- 1/4" thick
- One finished side
- Intended for skinning exposed backs of peninsulas, islands, and other design applications
- Grain runs parallel with 96" sides



ADDITIONAL VIEWS



NOTES

NOTES

Choice Essentials[®]

MOLDING & TRIM

ORDER CODING

All molding and trim order coding begins with the door style order code followed by the molding and trim order code:

SUM ACM8

Door Style
Order Code

Molding or Trim
Order Code

MOLDING & TRIM CONSTRUCTION KEY



Indicates Solid Wood



Indicates Veneered MDF



Indicates Veneered Plywood

SPECIAL NOTES

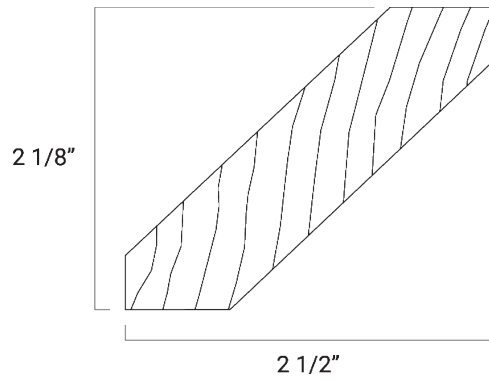
- Use BM8, OC8 and SCM8 to finish seams, end of runs, and corners where panels meet

Angled Crown Molding

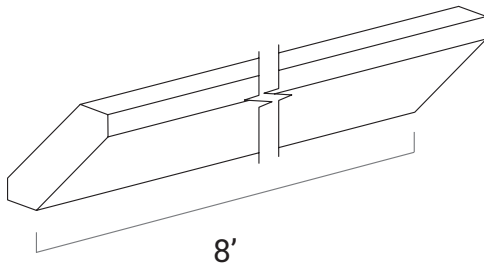
Available Door Styles: SUM, BRE, LEX, SLA, LAT

- Solid wood
- Molding comes in a single 8' piece

ACM8



ADDITIONAL VIEWS



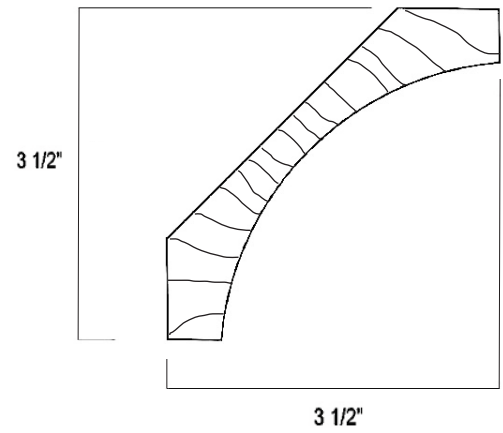
NOTES

Cove Crown Molding

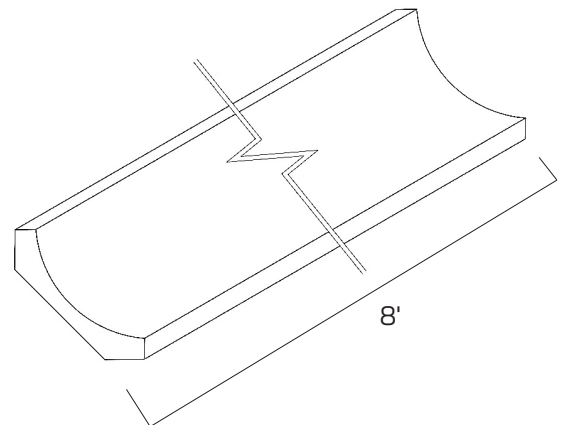
Available Door Styles: SUM, SLA, LAT

COVE CM8

- Solid wood
- Molding comes in a single 8' piece



ADDITIONAL VIEWS



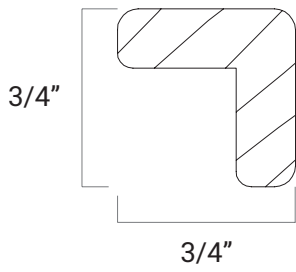
NOTES

Outside Corner Molding

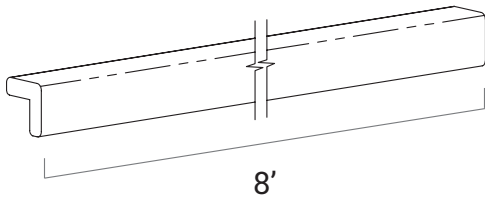
Available Door Styles: SUM, BRE, LEX, SLA, LAT

- Solid wood
- Molding comes in a single 8' piece

OC8



ADDITIONAL VIEWS



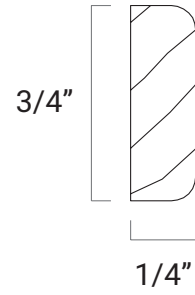
NOTES

Batten Molding

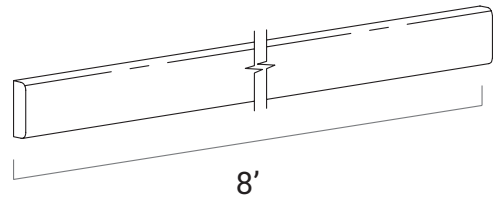
Available Door Styles: SUM, BRE, LEX, SLA, LAT

BM8

- Solid wood
- Molding comes in a single 8' piece



ADDITIONAL VIEWS



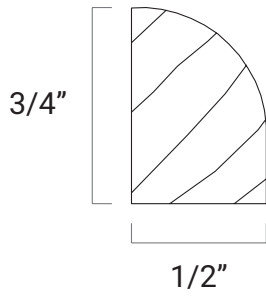
NOTES

Shoe Molding

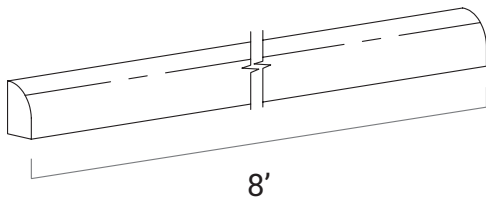
Available Door Styles: SUM, BRE, LEX, SLA, LAT

- Solid wood
- Molding comes in a single 8' piece

SHM8



ADDITIONAL VIEWS



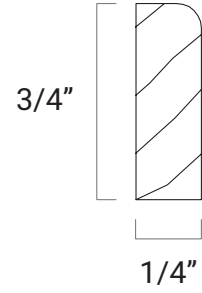
NOTES

Scribe Molding

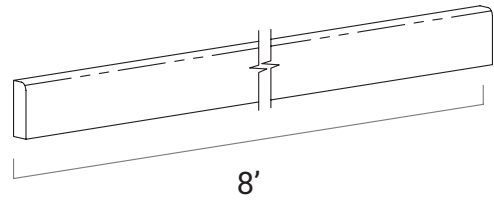
Available Door Styles: SUM, BRE, LEX, SLA, LAT

SCM8

- Solid wood
- Molding comes in a single 8' piece



ADDITIONAL VIEWS



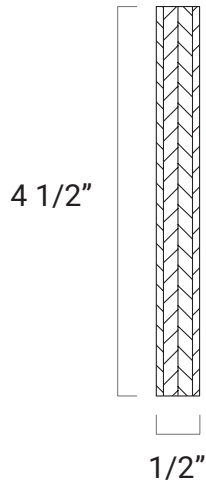
NOTES

Toe Kick

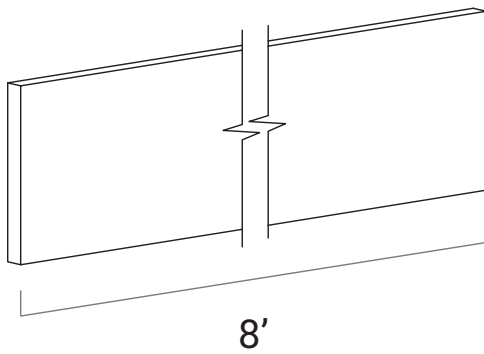
Available Door Styles: SUM, BRE, LEX, SLA, LAT

- 1/2" thick veneered plywood
- Molding comes in a single 8' piece

TK8



ADDITIONAL VIEWS



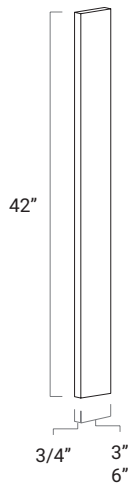
Wall Filler

Available Door Styles: SUM, BRE, LEX, SLA, LAT

- 3/4" thick solid wood
- Finished front and long sides
- Cut width/height to fit as necessary

WF342

WF642

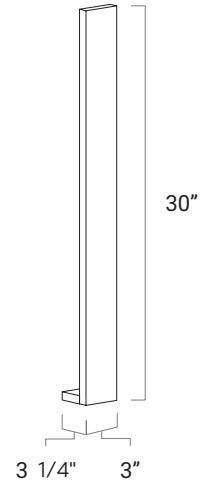


Base Filler

Available Door Styles: SUM, BRE, LEX, SLA, LAT

BF3

- 3/4" thick solid wood
- Finished front, back, and sides
- Cut width/height to fit as necessary



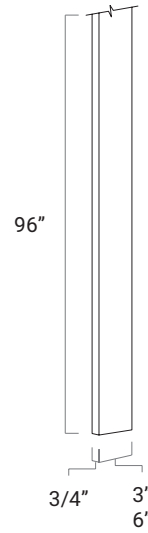
Tall Filler

Available Door Styles: SUM, BRE, LEX, SLA, LAT

TF396

TF696

- 3/4" thick solid wood
- Finished front and sides
- Cut width/height to fit as necessary



NOTES

Choice Essentials®

TOUCH-UP

ORDER CODING

All touch-up order coding begins with ACC (accessory), followed by the door style order code, then by the touch-up order code:



ADDITIONAL TOUCH-UP INFORMATION

Paint Aerosols

- Lower solids, opaque, pre-cat lacquer
- Can be used to touch-up worn areas or can be applied as the final topcoat for onsite finishing
- Use at least three coats when applying to raw wood
- Clear topcoat is not necessary

Paint Quarts

- Higher solids, opaque, pre-cat lacquer
- To be used in a finish shop to spray miscellaneous pieces (crown, trim, re-finish a door, etc.)
- Clear topcoat is not necessary

Stain Quarts

- Production wipe stain
- Use like a normal wipe stain
- Dry 20-30 minutes before applying toners or topcoats
- Clear topcoat must be applied over the stain for protection

Clear Aerosols

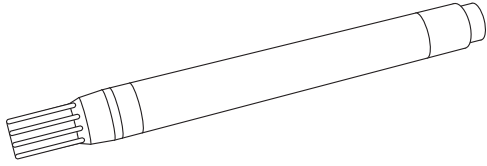
- Lower solids, clear, pre-cat lacquer
- To be used over all stained products and over anything that has been glazed

Touch-Up Marker

Available Door Styles: SUM, BRE, LEX, SLA, LAT

- Felt-tipped marker filled with stain or paint
- For small scuffs or scratches

MARKER

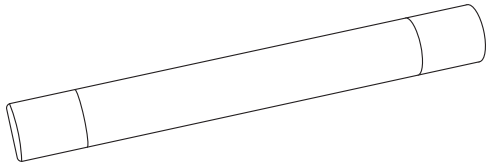


Wax Fill Stick

Available Door Styles: SUM, BRE, LEX, SLA, LAT

- For small punctures and deep scratches

FILL STICK

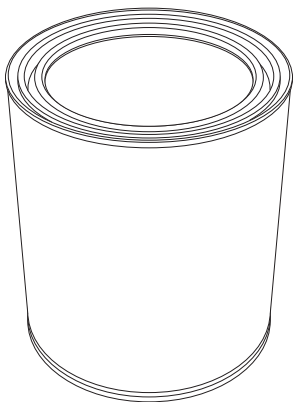


Quart of Paint

Available Door Styles: SUM

- 1 quart of paint
- Stained door styles require a clear topcoat (order ACC CLEAR-AEROSOL separately)

PAINT

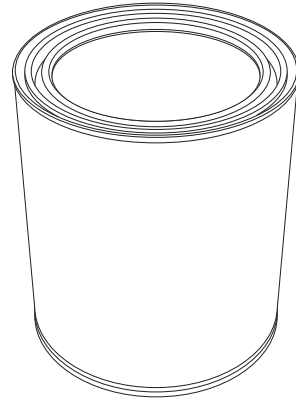


Quart of Stain

Available Door Styles: BRE, LEX, SLA, LAT

STAIN

- 1 quart of paint
- Stained door styles require a clear topcoat (order ACC CLEAR-AEROSOL separately)



Can of Aerosol Paint

Available Door Styles: SUM

PAINT AEROSOL

- Pre-catalyzed



Can of Aerosol Clear Coat

Available Door Styles: BRE, LEX, SLA, LAT

CLEAR AEROSOL

- No door style order code necessary



Accessories

STORAGE & ACCESSORIES

ORDER CODING

All storage and accessory order coding begins with the generic accessory order code followed by the specific storage and accessory item order code:

ACC ROT15

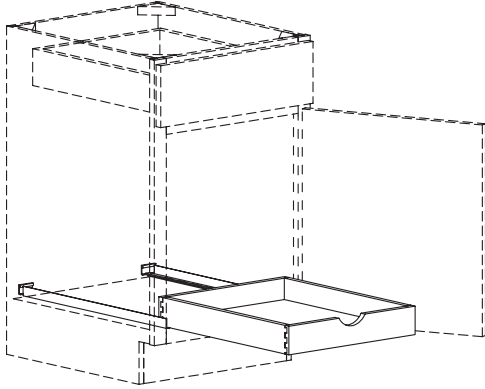
Accessory
Order Code

Storage & Accessory
Item Order Code

SPECIAL NOTES

- Storage & Accessory items can be used with both Choice Select® and Choice Essentials® cabinet lines

Roll-Out Tray

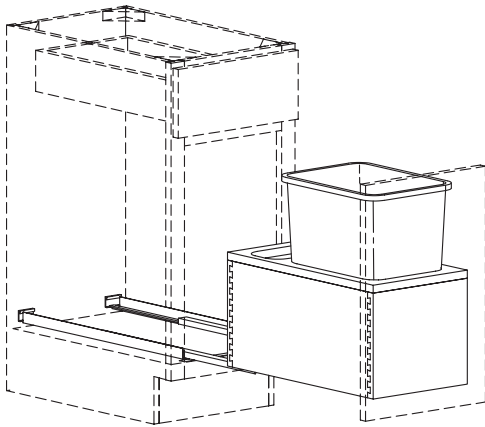


Available Door Styles: FMT, GRA, FRO, STE, SUM, BRE, LEX, SLA, LAT

- Sold individually and separately from cabinet
- Solid wood dovetailed construction
- 2 1/2" high sides
- Undermount, full extension soft close glides
- For 24" deep cabinets

ROT15
ROT18
ROT21
ROT24
ROT27
ROT30
ROT33
ROT36

Trash Pull-Out Single Bin

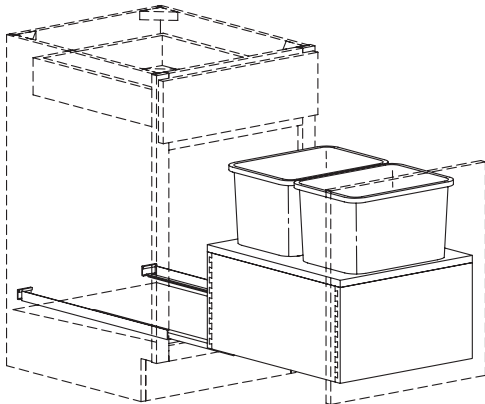


Available Door Styles: FMT, GRA, FRO, STE, SUM, BRE, LEX, SLA, LAT

- Sold separately from cabinet
- Solid wood dovetailed base support construction
- Undermount, full extension soft close glides
- Comes with one white 35 quart waste container

TPOS15

Trash Pull-Out Double Bin



Available Door Styles: FMT, GRA, FRO, STE, SUM, BRE, LEX, SLA, LAT

- Sold separately from cabinet
- Solid wood dovetailed base support construction
- Undermount, full extension soft close glides
- Comes with two white 35 quart waste container

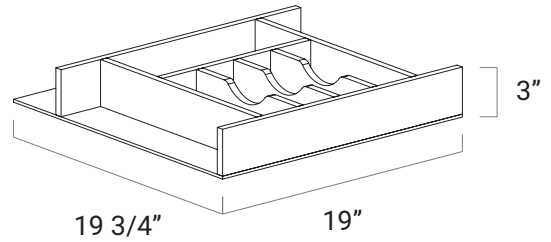
TPOD18
TPOD21

Wooden Cutlery Divider

Available Door Styles: FMT, GRA, FRO, STE, SUM, BRE, LEX, SLA, LAT

WCD

- Solid wood
- Natural hardwood finish
- Designed to fit in top drawer of 24" wide Choice Select® base cabinet but can be cut down to fit in top drawer of 18" or 21" wide cabinet
- Will need to be cut down to fit in 18"-24" wide Choice Essentials® base cabinets
- 1/2" thick solid wood dividers used throughout

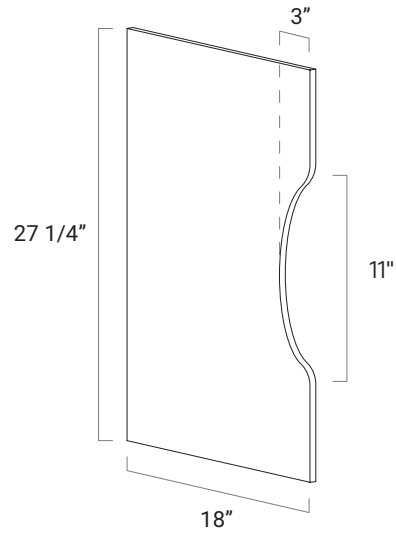


Wooden Tray Divider

Available Door Styles: FMT, GRA, FRO, STE, SUM, BRE, LEX, SLA, LAT

TRAY DIV

- 3/4" thick veneered plywood
- Edge banded front
- Natural hardwood finish
- Sold individually
- Cut width/height to fit as necessary



NOTES

Accessories

GLIDES & HINGES

ORDER CODING

All glide order coding begins with the generic accessory order code, followed by "GLIDE", then the specific glide item order code:

ACC GLIDE UMSC15

Accessory Order Code Glide Order Code Glide Item Order Code

All hinge order coding begins with the generic accessory order code, followed by the specific hinge item order code:

ACC 6ADJSCH-FO

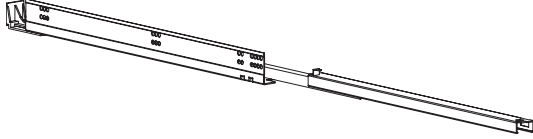
Accessory Order Code Hinge Item Order Code

SPECIAL NOTES

- Not all Glides & Hinges are interchangeable between the Choice Select® and Choice Essentials® cabinet lines

Undermount Full Extension Soft Close Glide Pair

Available Door Styles: FMT, GRA, FRO, STE, SUM, BRE, LEX, SLA, LAT

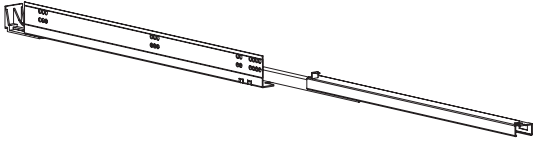


- Pair of glides
- Full extension
- Undermount
- Soft close
- Receivers included
- Numbers indicate cabinet depth and not glide depth
- Item order code must be preceded by "ACC GLIDE"
- (*) Glide mounts directly to drawer box and does not require locking device

UMSC12
UMSC15
UMSC18
UMSC21
UMSC24
UMSC24-B09*

Undermount Partial Extension Soft Close Glide Pair

Available Door Styles: SUM, BRE, LEX, SLA, LAT

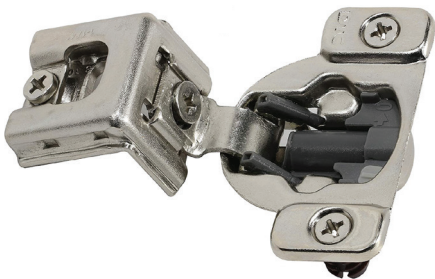


- Pair of glides
- 7/8 extension
- Undermount
- Soft close
- Receivers included
- Numbers indicate cabinet depth and not glide depth
- Item order code must be preceded by "ACC GLIDE"

UMSC21-PE
UMSC24-PE

6-Way Adjustable Soft Close Hinge Full Overlay

Available Door Styles: FMT, GRA, FRO, STE



- 6-way adjustable
- Built-in soft close feature with toggle switch

6ADJSCH-FO

**6-Way Adjustable Soft Close Hinge
Partial (Standard) Overlay**

Available Door Styles: SUM, BRE, LEX, SLA, LAT

6ADJSCH-PO

- 6-way adjustable
- Built-in soft close feature with toggle switch



NOTES

NOTES

Accessories

DECORATIVE HARDWARE

ORDER CODING

All decorative hardware order coding begins with the generic accessory order code followed by the specific decorative hardware item order code:



SPECIAL NOTES

- Decorative Hardware items can be used with both Choice Select® and Choice Essentials® cabinet lines

Diecast Knob

Available Door Styles: FMT, GRA, FRO, STE, SUM, BRE, LEX, SLA, LAT



- Available in Satin Nickel, Rose Gold, and Matte Black finish
- 1-1/4" diameter
- Shown in Satin Nickel finish

105-SN-K

105-RG-K

105-BK-K

Cup Pull

Available Door Styles: FMT, GRA, FRO, STE, SUM, BRE, LEX, SLA, LAT



- Available in Satin Nickel, Rose Gold, and Matte Black finish
- 3-3/4" overall length
- 3" center to center
- Shown in Satin Nickel finish

204-SN-P

204-RG-P

204-BK-P

Spherical Knob

Available Door Styles: FMT, GRA, FRO, STE, SUM, BRE, LEX, SLA, LAT



- Available in Satin Nickel, Rose Gold, and Matte Black finish
- 1-1/4" diameter
- Shown in Satin Nickel finish

104-SN-K

104-RG-K

104-BK-K

4" Deco Pull

Available Door Styles: FMT, GRA, FRO, STE, SUM, BRE, LEX, SLA, LAT

203-SN-P
203-RG-P
203-BK-P

- Available in Satin Nickel, Rose Gold, and Matte Black finish
- 4-1/4" overall length
- 3-3/4" center to center
- Shown in Satin Nickel finish



Square Knob

Available Door Styles: FMT, GRA, FRO, STE, SUM, BRE, LEX, SLA, LAT

103-SN-K
103-RG-K
103-BK-K

- Available in Satin Nickel, Rose Gold, and Matte Black finish
- 1-1/4" width
- Shown in Satin Nickel finish



6" Deco Pull

Available Door Styles: FMT, GRA, FRO, STE, SUM, BRE, LEX, SLA, LAT

205-SN-P
205-RG-P
205-BK-P

- Available in Satin Nickel, Rose Gold, and Matte Black finish
- 6-3/4" overall length
- 6-1/4" center to center
- Shown in Satin Nickel finish



Round Flat Top Knob

Available Door Styles: FMT, GRA, FRO, STE, SUM, BRE, LEX, SLA, LAT



- Available in Satin Nickel, Rose Gold, and Matte Black finish
- 1-1/4" diameter
- Shown in Satin Nickel finish

102-SN-K

102-RG-K

102-BK-K

4" Square Edge Pull

Available Door Styles: FMT, GRA, FRO, STE, SUM, BRE, LEX, SLA, LAT



- Available in Satin Nickel, Rose Gold, and Matte Black finish
- 4-3/4" overall length
- 3-3/4" center to center
- Shown in Satin Nickel finish

207-SN-P

207-RG-P

207-BK-P

6" Square Edge Pull

Available Door Styles: FMT, GRA, FRO, STE, SUM, BRE, LEX, SLA, LAT



- Available in Satin Nickel, Rose Gold, and Matte Black finish
- 7-1/2" overall length
- 6-1/4" center to center
- Shown in Satin Nickel finish

206-SN-P

206-RG-P

206-BK-P

2" Bar Pull Knob

Available Door Styles: FMT, GRA, FRO, STE, SUM, BRE, LEX, SLA, LAT

101-SN-K
101-RG-K
101-BK-K

- Available in Satin Nickel, Rose Gold, and Matte Black finish
- 2" length
- Shown in Satin Nickel finish



6" Bar Pull

Available Door Styles: FMT, GRA, FRO, STE, SUM, BRE, LEX, SLA, LAT

201-SN-P
201-RG-P
201-BK-P

- Available in Satin Nickel, Rose Gold, and Matte Black finish
- 6" overall length
- 3-3/4" center to center
- Shown in Satin Nickel finish



10" Bar Pull

Available Door Styles: FMT, GRA, FRO, STE, SUM, BRE, LEX, SLA, LAT

202-SN-P
202-RG-P
202-BK-P

- Available in Satin Nickel, Rose Gold, and Matte Black finish
- 10" overall length
- 7" center to center
- Shown in Satin Nickel finish



4" Highland Pull

Available Door Styles: FMT, GRA, FRO, STE, SUM, BRE, LEX, SLA, LAT

- Available in Satin Nickel, Rose Gold, and Matte Black finish
- 4-1/2" overall length
- 3-3/4" center to center
- Shown in Satin Nickel finish

208-SN-P
208-RG-P
208-BK-P



6" Highland Pull

Available Door Styles: FMT, GRA, FRO, STE, SUM, BRE, LEX, SLA, LAT

- Available in Satin Nickel, Rose Gold, and Matte Black finish
- 7" overall length
- 6-1/4" center to center
- Shown in Satin Nickel finish

209-SN-P
209-RG-P
209-BK-P



NOTES

Accessories

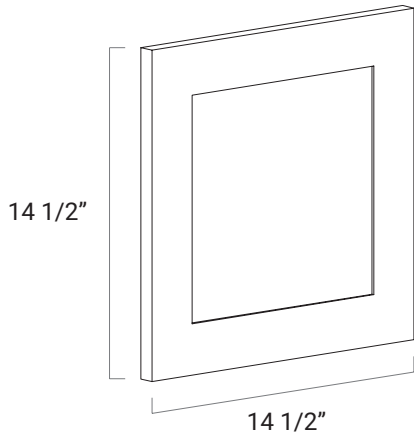
SAMPLES & REPLACEMENT PARTS

ORDER CODING

All accessory order coding begins with the generic accessory order code followed by the specific sample item order code:



Sample Door

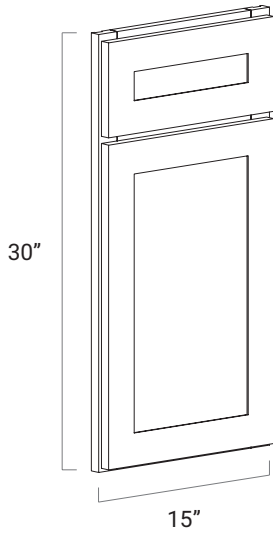


Available Door Styles: FMT, GRA, FRO, STE, SUM, BRE, LEX, SLA, LAT

- Order doors separately or together as a pack
- Pack includes all door styles
- (*) Door style order code not required

SAMPLE DOOR
SAMPLE DOOR PACK*

Sample Base Front

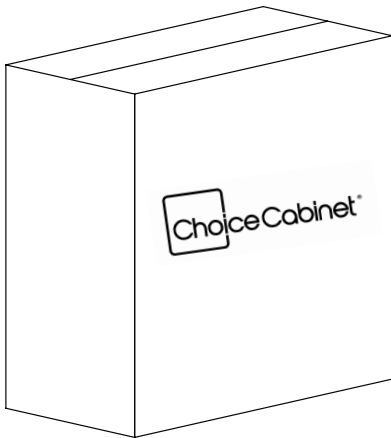


Available Door Styles: FMT, GRA, FRO, STE, SUM, BRE, LEX, SLA, LAT

- Order base fronts separately or together as a pack
- Pack includes all door styles
- (*) Door style order code not required

SAMPLE BASE FRONT
SAMPLE BASE FRONT PACK*

Sample Trim Kit



Available Door Styles: FMT, GRA, FRO, STE, SUM, BRE, LEX, SLA, LAT

- (*) Door style order code not required

SAMPLE TRIM KIT*

Selection Center

Available Door Styles: FMT, GRA, FRO, STE, SUM, BRE, LEX, SLA, LAT

**SELECTION
CENTER***

- (*) Door style order code and "SAMPLE" not required



Replacement Shelf

Available Door Styles: FMT, GRA, FRO, STE, SUM, BRE, LEX, SLA, LAT

REPL SHELF

- Available in natural stained finish
- 3/4" veneered plywood
- Cabinet SKU code required followed by "-NAT" (example: ACC REPL SHELF-B09-NAT)
- Shelf pins must be ordered separately



Clear Door Bumpers

Available Door Styles: FMT, GRA, FRO, STE, SUM, BRE, LEX, SLA, LAT

**DOOR BUMPER
- CLEAR**

- Available in clear rubber
- Self-adhesive backing
- Pre-packed in quantities of 100pcs



Metal Shelf Pins

Available Door Styles: FMT, GRA, FRO, STE, SUM, BRE, LEX, SLA, LAT

- Nickel plated shelf pins
- Pre-packed in quantities of 20pcs

**SHELF PIN
20 PACK**



Wood Corner Blocks

Available Door Styles: FMT, GRA, FRO, STE, SUM, BRE, LEX, SLA, LAT

- 3/4" solid wood corner braces
- Pre-packed in quantities of 4pcs
- Screws included

**WOOD
CORNER
BLOCK
- 4 PACK**



Assembly Screw Assortment

Available Door Styles: FMT, GRA, FRO, STE, SUM, BRE, LEX, SLA, LAT

- Contains every style of assembly screw
- Pre-packed in quantities of 25pcs of each screw

**SCREW
ASSORTMENT**



Magnetic Catches

Available Door Styles: FMT, GRA, FRO, STE, SUM, BRE, LEX, SLA, LAT

**MAGNETIC
CATCH 4 PACK**

- Available in white plastic
- Pre-packed in quantities of 4pcs
- Screws included



NOTES

NOTES

Assembly Ordering

HOW TO ORDER ASSEMBLED CABINETRY

ORDER CODING

When ordering assembled cabinetry, you must add a "-A" designation to the end of item or cabinet order code. For example:



SPECIAL NOTES

- Standard lead time for assembled orders to ship is typically two weeks, however this can vary slightly
- Assembly costs will vary for each cabinet based on complexity
- Due to LTL and freight classifications, shipping costs for assembled cabinetry can be considerably higher than RTA cabinetry and shipments
- Please review Terms & Conditions when ordering assembled cabinetry
- If you have any additional questions or concerns regarding the assembled cabinetry program, feel free to contact Dealer Support

Modification Ordering

HOW TO ORDER MODIFIED CABINETRY

ORDER CODING

When ordering modified cabinetry, you must add a "-##", "-TR", "-CG", or "-FI" designation to the end of item or cabinet order code. If the product is a single door cabinet, please specify "-L" or "-R" before the modification designations. Modifications must be entered in the following order:

SUM UP1884-A-L-18

Door Style Order Code	Item Order Code	Hinged Side	Modified Depth Order Code*
--------------------------	--------------------	----------------	-------------------------------

SUM UP1884-A-L-TR

Door Style Order Code	Item Order Code	Hinged Side	Toe Kick Removed Order Code
--------------------------	--------------------	----------------	--------------------------------

SUM UP1884-A-L-CG

Door Style Order Code	Item Order Code	Hinged Side	Cut Door For Glass Order Code**
--------------------------	--------------------	----------------	------------------------------------

SUM UP1884-A-L-FI

Door Style Order Code	Item Order Code	Hinged Side	Finished Interior Order Code
--------------------------	--------------------	----------------	---------------------------------

SPECIAL NOTES

- (*) Modification of cabinet depth is available in 3" increments only; modified depth drawer boxes will have no dovetail in the back of drawer
 - (**) The "CG" designation replaces the former "CDFG" sku
 - Modification costs will vary for each cabinet based on complexity
 - Some modifications require the cabinet to be assembled at time of modification

Marketing

LITERATURE

ORDER CODING

All sample order coding begins with the generic accessory order code followed by the specific sample item order code:

MKT QUICK LOOK GUIDE

Marketing
Order Code

Literature Item
Order Code

SPECIAL NOTES

- Literature items are available in both professionally printed and digital formats

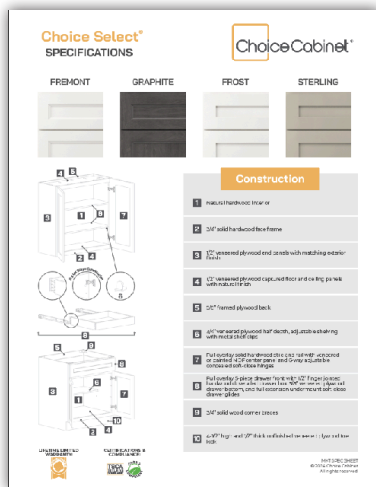


Quick Look Guide

Available Door Styles: FMT, GRA, FRO, STE, SUM, BRE, LEX, SLA, LAT

- Pre-packed in quantities of 100pcs.
- 8.5" x 11" tri-folded brochure

**QUICK LOOK
GUIDE**

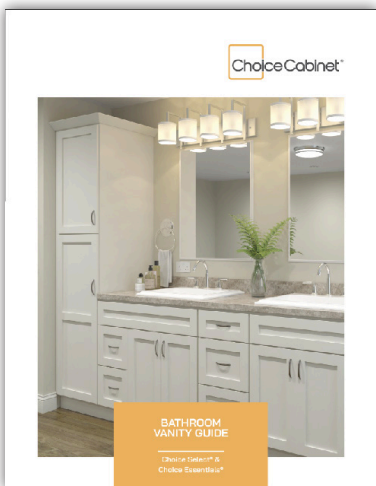


Spec Sheet

Available Door Styles: FMT, GRA, FRO, STE, SUM, BRE, LEX, SLA, LAT

- Pre-packed in quantities of 100pcs.
- 8.5" x 11" double-sided flyer

SPEC SHEET



Bathroom Vanity Guide

Available Door Styles: FMT, GRA, FRO, STE, SUM, BRE, LEX, SLA, LAT

- Pre-packed in quantities of 25pcs.
- 11" x 17" bi-folded brochure

**BATHROOM
VANITY GUIDE**

Cleaning, Care & Maintenance

HOW TO CLEAN YOUR CABINETS

The finish on Choice cabinetry is just like that of a high quality piece of furniture. Although it is designed to protect against normal, everyday home use, general upkeep and cleanliness are very important. With proper care, your cabinetry will last long and look good for generations to come.

DUSTING

Dust your cabinets frequently with a soft, lint-free cloth. If need be, slightly dampen the cloth with water or a spray-type dust remover.

SPILLS

Clean spills and splatters immediately. Prolonged exposure to spills, including food, water or other liquids, or to oil and grease can cause permanent discoloration or damage your cabinet's finish. To clean spills, use a clean, soft cloth dampened with mild soap. Dry immediately with another clean, soft cloth.

CLEANING

Use a clean, soft cloth dampened with mild soap to clean your cabinets. Dry immediately with another clean, soft cloth. There are also a number of wood cleaning products available for use on cabinetry.

WAXING & POLISHING

Waxing your cabinets is not required or recommended. Over time, the wax will build up on the surface of the cabinet. This can cause a hazy, streaky, or yellowed appearance, as well as attract dust particles. The wax can become very difficult to remove. We recommend that you clean and polish your cabinets once or twice each year. To polish your cabinets, use a light coat of quality furniture polish.

GLASS DOORS

If you have glass panels installed in your cabinet doors, you will want to clean them periodically. To clean the glass, you can use any commercial glass cleaner. Never apply glass cleaner directly to the glass. Spray a small amount of cleaner onto a clean, soft cloth or paper towel, then wipe the glass. Be careful not to damage the cabinet finish or parts while cleaning.

HARDWARE

You will want to periodically clean knobs, pulls, or handles installed on your cabinet doors/drawers. To do so, use a clean, soft cloth dampened with mild soap. Thoroughly dry all hardware joints, surfaces, and the surrounding area with another clean, soft cloth.

PRODUCTS TO AVOID

- Harsh chemicals
- Solvent or petroleum-based products such as mineral spirits, nail polish removers, and paint thinners
- Abrasive cleaning products
- Ammonia or cleaning products that may contain ammonia
- Bleach or cleaning products that may contain bleach
- Adhesives not marked for delicate surface use

HOW TO CARE FOR YOUR CABINETS

SELF-CLEANING APPLIANCES

Self-cleaning appliances use intense heat during the clean cycle. During installation and with age, the integrity of the seal or gasket on the appliance can be compromised. Because of this, Choice Cabinet recommends the removal of any cabinet doors and/or drawers located adjacent to or directly above the appliance during a cleaning cycle.

HEAT-PRODUCING APPLIANCES

Mounting or placing heat-producing appliances beneath cabinets is not recommended. The excess heat and moisture from appliances such as coffee makers and toaster ovens can damage your cabinets.

UV EFFECTS

Ultraviolet light rays from natural sunlight can affect the appearance of your cabinets. Depending on the natural characteristics of wood and the applied finish, the amount/direction of light exposure, and the portion of the cabinet that receives light, the appearance of your cabinet(s) may change over time.

CABINET MAINTENANCE

No matter how careful you are with your cabinetry, normal wear and tear from everyday use is inevitable. That's why Choice Cabinet has made it easier than ever to keep your cabinets feeling and looking brand new.

TOUCH-UP

We offer Touch-Up Markers and Fill Sticks that have been specially formulated for each of our high quality cabinet finishes. Please work with your Choice Cabinet Design Professional on how to acquire and properly use these products.

NOTE: Substantial repairs may require the help of a professional refinisher.

ADJUSTING YOUR CABINETRY HARDWARE

Over time, the door hinges, soft close pistons, drawer glides, and decorative hardware on your cabinetry may need to be tightened or adjusted. All of our hardware has been designed to be easily adjusted by you, the customer, with a Phillips-head ("crosshead") screwdriver. Soft close pistons are adjusted by simply finger turning the small dial on the backside of the piston.

Warranty Information

PRODUCT & FINISH INFORMATION

Because we use real wood in our products, there are certain characteristics and qualities with which you may not be familiar. Because your satisfaction is our number one priority, we want to make sure you are fully aware of the important information listed below regarding our cabinetry and the applied finish.

EXPANSION & CONTRACTION

Because half of the weight of freshly cut wood is water, these natural properties are such that they can react to climate or humidity changes in your home. Choice Cabinet doors and face frames are manufactured from solid wood that has been carefully kiln-dried, retaining just enough moisture for proper construction and finishing. The center panels of the Choice Cabinet doors are either wood or medium density fiberboard. As a product of nature, solid hardwoods continue to react to their surroundings long after the manufacturing process has been completed. When wood cabinet doors are in a warm, moist environment (high humidity), the wood expands. In a dry, colder environment (low humidity), the wood will contract. Even with humidity regulation, this phenomenon can be controlled, but it can never be completely eliminated.

Door panels are prone to minor expansion and contraction as seasonal temperature and humidity changes occur in a home. The contraction (shrinkage) of the center door panel during low humidity periods may result in the appearance of an unfinished line along the edge of the center panel. Choice Cabinet does not consider the appearance of an unfinished line as a defect and will not replace doors due to this situation. It is recommended that a humidity control system is incorporated in a home to reduce the possibility of expansion and contraction in wood products. Touch-up markers are made available to cover this edge line. Oftentimes, touch-up for this issue may only be necessary within the first year.

Choice Cabinet is not responsible for any of these conditions and variations.

FINISHES

Over time, wood species in all finishes will exhibit color changes when exposed to different types of light and environment. Such color changes are to be expected and are not defects. Due to the natural variation and aging process of wood, minor differences may be observed in color match when replacing doors or adding cabinets at a later date. It is a characteristic of stained and painted wood finishes to age over time when exposed to smoke, sunlight, or general household cleaning chemicals.

Graining differences, mineral streaks, and wood color variations are expected in wood cabinetry and are not classified as defects. A newly installed kitchen could have these minor color variations.

Choice Cabinet offers several types of painted finishes on cabinetry. Painted finishes are exceedingly different from the standard stained finish. Since normal movement is typical in wood products, certain climatic conditions can cause finish breaks, recesses, and joint/panel lines. Joint separation can be more visible on mitered doors. Consequently, in places and environments of extremely high or extremely low humidity, painted finishes are not recommended. Joint lines and variations are common attributes of painted finishes and will not be considered sufficient reasons for product replacement.

Some of our products have glaze finishes. Since glaze detailing is hand applied then hand wiped off, glaze

may "hang up" or remain in any corners of the door or drawer profile. Because glaze is a hand applied procedure, detailing can differ from piece to piece.

NOTE: Independent testing has shown that discoloration will develop on doors, drawers, and cabinet parts after continued exposure to tobacco smoke. This is remarkably apparent on white and lighter finishes. We do not warrant discoloration in our products due to exposure to smoke..

JOINT LINES

Expansion and contraction in doors and face frames can cause visible lines at the joints. The finish will still protect the surface, and the structural integrity of the joint will not be affected. An open joint line is not considered a defect.

Warranty Information



LIFETIME LIMITED WARRANTY

I. DESCRIPTION OF WARRANTY

This warranty applies only to the original purchaser and is not transferable. From the time of purchase, Choice Cabinet offers a Lifetime Limited Warranty on all of its cabinetry. In addition to cabinetry, all drawers, shelves, roll out trays, and mechanical components are covered under the warranty as well. In the event that any Choice Cabinet product fails during the course of normal use, Choice Cabinet, at its discretion, will either repair or replace the defective product.

Whether the work was performed by a contractor, Choice Cabinet authorized dealer, or you; any expenses involved in the shipping, removal, installation, or consequent damage of the defective product is not covered under this warranty. This warranty does not apply to products installed in mobile homes or recreational vehicles.

II. INTENDED USE OF PRODUCT

To be covered by this warranty, the product must be used only for its intended purpose(s). Cabinets that have been improperly stored, installed, misused, modified, mishandled, and/or subject to excessive moisture or extreme temperature and humidity levels are not covered under this warranty. In addition, any damage caused by smoking and/or environmental/chemical effects are also not covered under this warranty.

III. ANTICIPATED VARIANCE IN PRODUCT

The Choice Cabinet warranty only applies to product defects and does not apply to properties of natural wood that are inherent in natural wood species. Any time you have a natural wood product, occurrences such as pinholes, knots, and variances in color or grain are normal and are not covered under this warranty.

Because half of the weight of freshly cut wood is water, its natural properties are such that they can react to climate and/or humidity changes in your home. Choice Cabinet doors and face frames are manufactured from solid wood that has been carefully kiln-dried, retaining just enough moisture for proper construction and finishing. These hardwoods continue to react to their surroundings long after the manufacturing process has been completed. When wood cabinet doors are in a warm, moist environment (high humidity), the wood expands. In a dry, colder environment (low humidity), the wood will contract. Even with humidity regulation, this phenomenon can be controlled, but it can never be completely eliminated.

Door panels may also be prone to this minor expansion and contraction as seasonal temperature and humidity changes occur in your home. The contraction (shrinkage) of the center door panel during periods of low humidity may result in the appearance of an unfinished line along the edge of the center panel.

Choice Cabinet does not consider the appearance of this line as a defect and will not replace doors due to this situation. Touch-up markers are made available to cover this edge line. The installation of a humidity control system is recommended to reduce the possibility of expansion and contraction in wood products.

All Choice Cabinet doors are manufactured in moisture-controlled environments under precise specifications. Although slight door warpage can be common in one or two doors within a newly installed kitchen, any door that has not been through a complete heating and cooling cycle has the possibility of warping. Slight warpage can be eliminated through hinge adjustments. Any warping that continues to occur should be further examined by removing the door from the cabinet and placing it on a flat surface. Hinge spacers are available through your authorized Choice Cabinet dealer in cases where the warpage cannot be eliminated through hinge adjustments. If warping cannot be eliminated through hinge adjustments or the use of hinge spacers, and if the doors have been through a complete heating and cooling cycle, and if all of the cabinets are true and plumb; then Choice Cabinet will consider replacement.

As mentioned above, normal movement in wood products is typical. In addition to issues listed above, climate conditions can cause finish breaks, recesses, and joint/panel lines. An open joint line is not considered a defect and is not covered under this warranty.

IV. PRODUCT REPAIR OR REPLACEMENT

Throughout the duration of the warranty period, Choice Cabinet's sole obligation is to repair or replace any defective product at no charge. This warranty only applies to cabinets and affiliated products sold by Choice Cabinet offered through an authorized Choice Cabinet dealer. In the event that a claim is filed after the original product has been discontinued or canceled, Choice Cabinet will honor the warranty, at its discretion, subject to the availability of the product, by either:

- Repairing or replacing the defective product with a new product of the same style
- Repairing or replacing the defective product with a product of equal value and complementary style in order to maintain the appearance of the original cabinetry purchase.

An exact match between the finish of the original purchased product and the replacement or repaired product is not guaranteed.

V. RIGHTS OF CONSUMER

There are no other warranties, disclosed or indicated, associated with this product. This document serves as a description of the consumer's definitive legal rights within the transaction and is the exclusive warranty of Choice Cabinet. The exclusion or partial limitation of contingent or substantial damages is not permissible in some states. The consumer may also have further rights from state-to-state which are not cited in this warranty.

VI. SUBMISSION OF A CLAIM

All claims must be submitted to the authorized Choice Cabinet dealer where the cabinets were originally purchased. Claims are to be submitted in writing. Every claim must include a dated copy of the original sales receipt as proof of purchase. Unless and until the product is specifically requested by the Choice Cabinet Claims Department, please do not send the defective item(s).

Warranty Information



1-YEAR LIMITED WARRANTY

I. DESCRIPTION OF WARRANTY

This warranty applies only to the original purchaser and is not transferable. From the time of purchase, Choice Cabinet offers a One Year Limited Warranty on all of its cabinetry. In addition to cabinetry, all drawers, shelves, roll out trays, and mechanical components are covered under the warranty as well. In the event that any Choice Cabinet product fails during the course of normal use, Choice Cabinet, at its discretion, will either repair or replace the defective product.

Whether the work was performed by a contractor, Choice Cabinet authorized dealer, or yourself; any expenses involved in the shipping, removal, installation, or consequent damage of the defective product is not covered under this warranty. This warranty does not apply to products installed in mobile homes or recreational vehicles.

II. INTENDED USE OF PRODUCT

To be covered by this warranty, the product must be used only for its intended purpose(s). Cabinets that have been improperly stored, installed, misused, modified, mishandled, and/or subject to excessive moisture or extreme temperature and humidity levels are not covered under this warranty. In addition, any damage caused by smoking and/or environmental/chemical effects are also not covered under this warranty.

III. ANTICIPATED VARIANCE IN PRODUCT

The Choice Cabinet warranty only applies to product defects and does not apply to properties of natural wood that are inherent in natural wood species. Any time you have a natural wood product, occurrences such as pinholes, knots, and variances in color or grain are normal and are not covered under this warranty.

Because half of the weight of freshly cut wood is water, its natural properties are such that they can react to climate and/or humidity changes in your home. Choice Cabinet doors and face frames are manufactured from solid wood that has been carefully kiln-dried, retaining just enough moisture for proper construction and finishing. These hardwoods continue to react to their surroundings long after the manufacturing process has been completed. When wood cabinet doors are in a warm, moist environment (high humidity), the wood expands. In a dry, colder environment (low humidity), the wood will contract. Even with humidity regulation, this phenomenon can be controlled, but it can never be completely eliminated.

Door panels may also be prone to this minor expansion and contraction as seasonal temperature and humidity changes occur in your home. The contraction (shrinkage) of the center door panel during periods of low humidity may result in the appearance of an unfinished line along the edge of the center panel.

Choice Cabinet does not consider the appearance of this line as a defect and will not replace doors due to this situation. Touch-up markers are made available to cover this edge line. The installation of a humidity control system is recommended to reduce the possibility of expansion and contraction in wood products.

All Choice Cabinet doors are manufactured in moisture-controlled environments under precise specifications. Although slight door warping can be common in one or two doors within a newly installed kitchen, any door that has not been through a complete heating and cooling cycle has the possibility of warping. Slight warping can be eliminated through hinge adjustments. Any warping that continues to occur should be further examined by removing the door from the cabinet and placing it on a flat surface. Hinge spacers are available through your authorized Choice Cabinet dealer in cases where the warping cannot be eliminated through hinge adjustments. If warping cannot be eliminated through hinge adjustments or the use of hinge spacers, and if the doors have been through a complete heating and cooling cycle, and if all of the cabinets are true and plumb; then Choice Cabinet will consider replacement.

As mentioned above, normal movement in wood products is typical. In addition to issues listed above, climate conditions can cause finish breaks, recesses, and joint/panel lines. An open joint line is not considered a defect and is not covered under this warranty.

IV. PRODUCT REPAIR OR REPLACEMENT

Throughout the duration of the warranty period, Choice Cabinet's sole obligation is to repair or replace any defective product at no charge. This warranty only applies to cabinets and affiliated products sold by Choice Cabinet offered through an authorized Choice Cabinet dealer. In the event that a claim is filed after the original product has been discontinued or canceled, Choice Cabinet will honor the warranty, at its discretion, subject to the availability of the product, by either:

- Repairing or replacing the defective product with a new product of the same style
- Repairing or replacing the defective product with a product of equal value and complementary style in order to maintain the appearance of the original cabinetry purchase.

An exact match between the finish of the original purchased product and the replacement or repaired product is not guaranteed.

V. RIGHTS OF CONSUMER

There are no other warranties, disclosed or indicated, associated with this product. This document serves as a description of the consumer's definitive legal rights within the transaction and is the exclusive warranty of Choice Cabinet. The exclusion or partial limitation of contingent or substantial damages is not permissible in some states. The consumer may also have further rights from state-to-state, which are not cited in this warranty.

VI. SUBMISSION OF A CLAIM

All claims must be submitted to the authorized Choice Cabinet dealer where the cabinets were originally purchased. Claims are to be submitted in writing. Every claim must include a dated copy of the original sales receipt as proof of purchase. Unless and until the product is specifically requested by the Choice Cabinet Claims Department, please do not send the defective item(s).

Visit Us Online

Our website contains a wealth of information. Educate yourself on our complete product lines. Download our free eBooks to help with your projects or learn how to best protect and clean your cabinetry. Stay up to date on today's trends and helpful tips and tricks in our informative blog.



- Learn about Our Products
- View Real Life Testimonials
- Browse the Inspiration Gallery
- Subscribe to Our Blog
- Frequently Asked Questions
- Resources & Warranties
- How to Become a Dealer
- Access Our Webstore

VISIT OUR WEBSITE TO SEE EVERYTHING THAT WE HAVE TO OFFER



HEADQUARTERS & WAREHOUSE

26401 Fargo Avenue
Bedford Heights, OH 44146



CAREERS AT CHOICE CABINET

Founded in 2006, Choice Cabinet has since grown into one of the nation's fastest growing and industry leading ready-to-assemble cabinet manufacturers. Because of our commitment to excellence and resulting exponential growth, we're always looking to add team players who come with a great work ethic and enjoy long-term customer relationships.

Every employee that joins our company has the opportunity to create a long and successful career at Choice Cabinet. With ever-expanding operations and hundreds of national accounts, growth opportunities are always available.

NOTES

HEADQUARTERS & WAREHOUSE

26401 Fargo Avenue
Bedford Heights, OH 44146

T: 216.378.2828



Choice Select[®]

Our Choice Select[®] line features both transitional Shaker-style doors and contemporary Shaker-style doors. These cabinets are stylish, yet functional and are built to last. The Choice Select[®] line is constructed to stand up to any lifestyle.

Choice Essentials[®]

We understand that kitchen and bath projects can get expensive, so we created the Choice Essentials[®] line. You can still expect the same all wood quality construction in this budget-friendly offering. The Choice Essentials[®] line is perfect for builders, contractors, and rental properties.



Photography and color samples shown have been reproduced as accurately as printing technologies permit. To ensure your highest satisfaction, please view actual product samples prior to ordering cabinetry.

In maintaining our policy of continuous product improvement, Choice Cabinet reserves the right to change design and material specifications as required and without notice.

MKT SPECIFICATION GUIDE

© 2024 Choice Cabinet

All rights reserved.

2024.1 Revision